

**NowyStyl**

eModel 2.0



**EN** Original user guide  
**PL** Oryginalna instrukcja użytkowania

**DE** Original Bedienungsanleitung  
**FR** Notice d'utilisation original

DESKS, WORKBENCHES AND CONFERENCE TABLES WITH ELECTRIC HEIGHT ADJUSTMENT

BIURKA, STANOWISKA WORKBENCH I STOŁY KONFERENCYJNE Z ELEKTRYCZNĄ REGULACJĄ WYSOKOŚCI

SCHREIBTISCHE, WORKBENCH-ARBEITSPLÄTZE UND KONFERENZTISCHE MIT ELEKTRISCHER HÖHENVERSTELLUNG

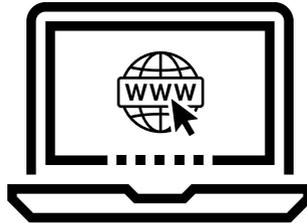
BUREAUX, POSTES BENCH ET TABLES DE REUNION AVEC REGLAGE ELECTRIQUE DE LA HAUTER

**EN** ORIGINAL USER GUIDE **8**

**PL** ORYGINALNA INSTRUKCJA UŻYTKOWANIA **39**

**DE** ORIGINAL BEDIENUNGSANLEITUNG **70**

**FR** NOTICE D'UTILISATION ORIGINAL **102**



# START-UP PROCEDURE

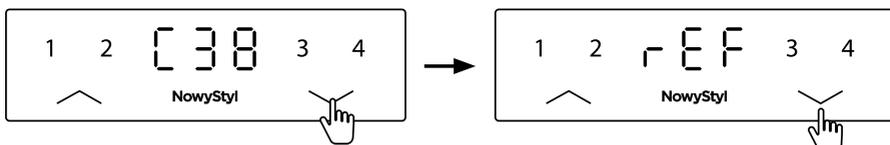


## control panel WITH DISPLAY

### I. FIRST START-UP

#### STEP 1

Hold the “**down**” button until the workstation reaches its lowest position.  
During this process the code will switch from **C38** to **rEF**



#### STEP 2



Step 2 will be done **automatically** by the system. **DO NOT TOUCH THE CONTROLLER UNTIL HEIGHT APPEARS ON THE DISPLAY**

⌚ 5 sec.



## control panel WITHOUT DISPLAY

### I. FIRST START-UP



Hold the “**down**” button until the workstation reaches its lowest position

⌚ 10 sec.

# eModel 2.0

## II. MALFUNCTION RESET

### STEP 1



Hold the “**logo**” button

⌚ 5 sec.

### STEP 2



Use the “**down**” or “**up**” button to select **F 3** and then confirm by pressing the “**logo**” button

### STEP 3



“**000**” symbol will be displayed.  
Press the “**logo**” button

### STEP 4



Follow **First Start-up** procedure (I)

## II. MALFUNCTION RESET

### STEP 1



Hold both “**down**” and “**up**” buttons

⌚ 10 sec.

### STEP 2



Follow **First Start-up** procedure (I)

MORE  
INFORMATION:



# EN

## Original user guide

### Contents

<b>1</b>	SYMBOLS DESCRIPTION	<b>8</b>
<b>2</b>	INTENDED USE	<b>8</b>
<b>3</b>	IMPORTANT SAFETY INSTRUCTIONS	<b>9</b>
	<b>3.1</b> Transport	<b>9</b>
	<b>3.2</b> Electrical components connection	<b>10</b>
	<b>3.3</b> During installation and use	<b>11</b>
	<b>3.4</b> Sliding top lock release (for workstations with sliding top)	<b>11</b>
	<b>3.5</b> Other safety instructions	<b>13</b>
<b>4</b>	WORKSTATION ERGONOMICS	<b>14</b>
<b>5</b>	HANDLING	<b>15</b>

## **6** CONTROL PANEL - UP/DOWN ADJUSTMENT BUTTON **16**

**6.1** System initialisation / First start-up **16**

**6.2** Height adjustment **16**

**6.3** Reset **17**

## **7** CONTROL PANEL - WITH DISPLAY AND MEMORY FUNCTION **17**

**7.1** System initialisation / First start-up **17**

**7.2** Height adjustment **18**

**7.3** Saving a selected height **19**

**7.4** Changing the display measurement unit **20**

**7.5** Aligning the displayed height with the actual height **20**

**7.6** Restoring default settings **22**

**7.7** Setting the desk to stop at a desired lowest or highest position **23**

**7.8** Lock function **27**

## **8** MALFUNCTIONS CAUSE AND SOLUTION **29**

## **9** ERROR MESSAGES ON THE DISPLAY **31**

## **10** KLIICK-CODES **32**

## **11** TECHNICAL PARAMETERS **33**

## **12** DECLARATION OF CONFORMITY **34**

## **13** MAINTENANCE, REPAIRS, CLEANING AND CARE **36**

## **14** DISPOSAL **36**

# 1. Symbols description



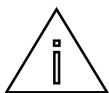
**General hazard warning:** Danger: Imminent threat to life and health! Failure to comply with these warnings may result a threat to life or lead to life-threatening injuries and material damage.



**Warning: 100–240 V AC – Risk of electric shock!** Potential risk of electric shock. Failure to comply with these warnings may result a threat to life or lead to life-threatening injuries and material damage.



**Danger: risk of crushing!** Information regarding safe use of eModel 2.0 to comply with.

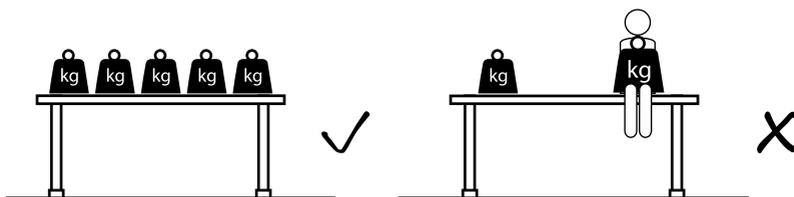


**Note:** Information regarding safe use of eModel 2.0 to comply with.

# 2. Intended use

eModel 2.0 equipped with an electromotive height adjustment system, was designed to be used for work in a sitting or standing position, in dry, indoor spaces, with access to power supply.

- | use only in accordance with the technical data / the nameplate
- | use only when a safety distance of min. 25 mm can be achieved – between the top of the desk and other workstation equipment, as well as items located above / under the desk at any height,
- | use only with evenly distributed load, maximum weight on the table top according to the technical data,
- | use by persons over 16 years old, after instructed in the safe use of the device and understand the risk involved.

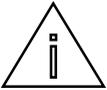


Weight evenly distributed.

## Not intended use example:

- | use in damp rooms,
  - | use in an inclined position,
  - | improper transport, installation,
  - | use as elevator substitute,
  - | by persons under 16 years of age,
  - | by person with reduced physical or mental abilities which do not understand the risk involved
  - | as a seat
- | Including above and any other unintended use not described, will result in loss of warranty!

## 3. Important safety instructions



**Danger:** Follow the instructions below. Failure to follow these instructions can result in serious injury or death.

### 3.1 Transport



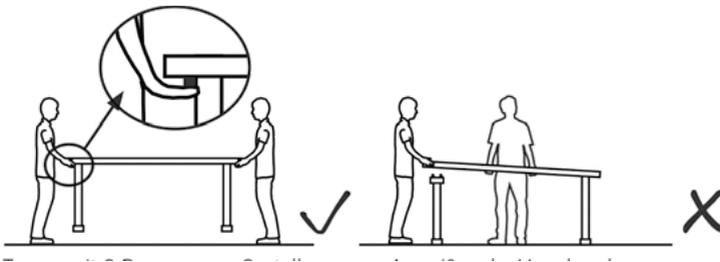
**Danger:** risk of crushing or other injuries due to fall while moving or during transport. Improper transportation may damage components and cause warranty loss.

To prevent:

- | follow health and safety regulations regarding correct heavy lifting and carrying,
- | use safety shoes and non-slip gloves,
- | minimum of 2 people required for transport
- | secure components from falling (e.g. all cables),
- | pay attention for the surroundings during transport to avoid collisions with other people and objects.

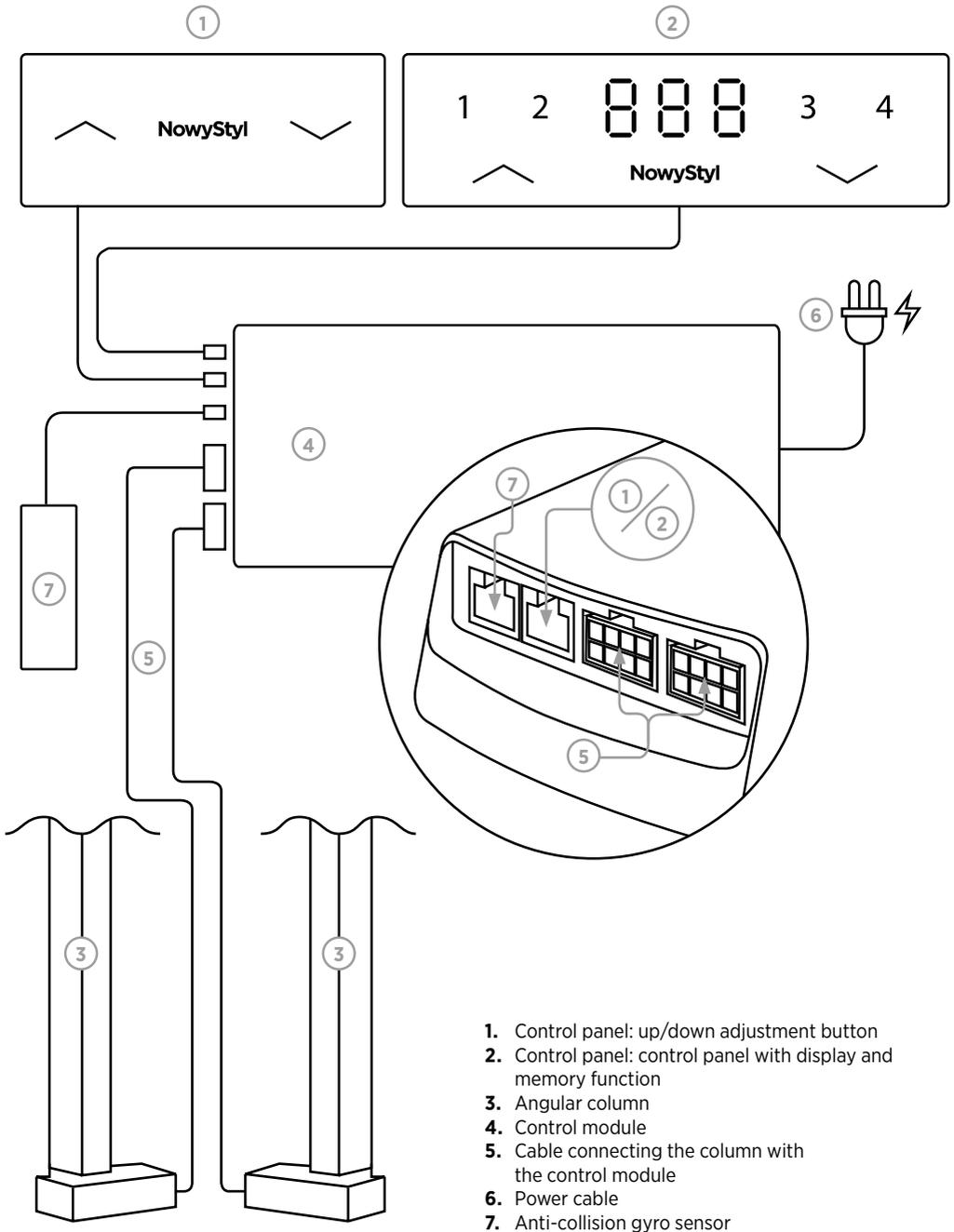
Sliding the workstation on the floor or lifting by holding the table top is prohibited.

It is recommended to move by two people holding the workstation by the metal frame or transport on roller boards.



**Warning: 230 V AC – Risk of electric shock!** 230 V AC – Protect electrical components from humidity and any liquids during transport.

### 3.2 Electrical components connection



### 3.2 Electrical components connection

Electric components was pre assembled and verified by the supplier during factory assembly. However, electrical system defects may occur as a result of incorrect transport, installation or improper use.



**Warning: 100–240 V AC – Risk of electric shock!** Moisture, squashed or cut cables can cause short circuits or fire. Contact with defective electric components may result of serious injury or death.

To prevent:

- | in case of suspect or seen defect (noises or smell), disconnect the power supply immediately. Notify other users about the threat, mark the defective device and report the need for repair to authorized personnel,
- | when setting up electrical devices (e.g. phones, monitors) connection cables length need to compensate table top moves range of 660 mm,
- | opening or any changes to electric components is prohibited
- | in case of too loose connection of the electrical components notify authorized personnel, do not allow water or other liquids (e.g. drinks, flower water) to contact with electrical devices (e.g. control unit, lifting columns),
- | before any changes to the workplace disconnect power supply. Before plugging power supply other cables have to be properly connected first.

### 3.3 During installation and use



**Danger:** risk of crushing due to incorrect installation!

Improper leveling can cause serious damage or injuries. Notify authorized personnel to restore stability. When placing other furniture parts and objects ensure the free movement of the lifting columns and table top. Safety distance around the workstation of 25 mm is required.

### 3.4 Sliding top lock release (for workstations with sliding top)

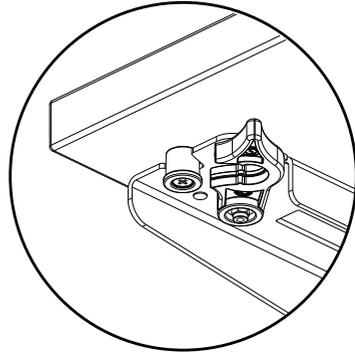
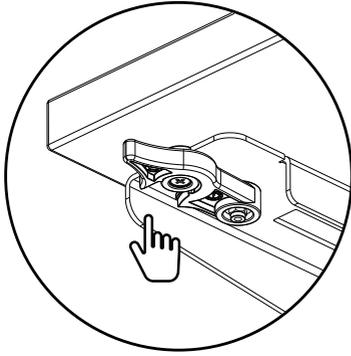


**Warning:** Risk of crushing due to incorrect handling!

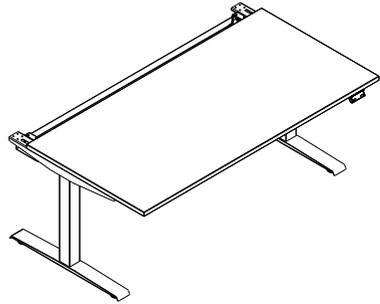
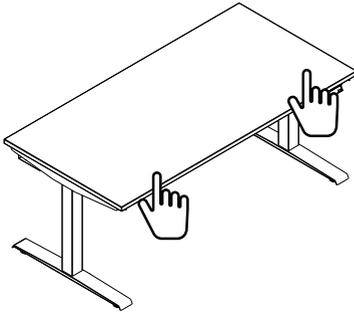
Before using sliding top function remove devices from the tabletop (e.g. monitors) cause they may fall and cause damage or injuries. Children cannot play with the sliding top mechanism.

### 3.4 Sliding top lock release (for workstations with sliding top)

1. Release the slide lock on the right and left side at the underside of the desk top.



2. Pull the desk top to yourself by holding it with both hands.



3. To lock the top again in a work position, push the top in the opposite direction with your both hands.
4. Lock the slide function by tightening the locks on the right and left side at the underside of the desk top.

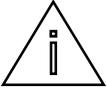


**Note:** Risk of crushing or trapping when sliding the desk top.



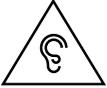
**Note:** Desk top travel range is approximately 170 mm.

### 3.5 Other safety instructions



**No certified protection!** Workstation is equipped with an anti collision protection system during up and down movement. However this is not considered as personal protection.

Read and keep the original user guide in a safe place, accessible to users. Do not throw away!



**Noise level:** Electric motors in the lifting columns generate noise below the measured values determined by the law. There is no danger hearing impairment.



**Warning: Risk of the workstation fall and items falling off the table top due to overload!**

**Warning:** Risk of items falling off the table top and the workstation fall due to overload! Items not evenly distributed or too heavy may result injuries and material damage! Overload may also create an increase noise level. Please refer to the information in the „Technical data“ and distribute load evenly on the table top. Do not exceed maximum load.



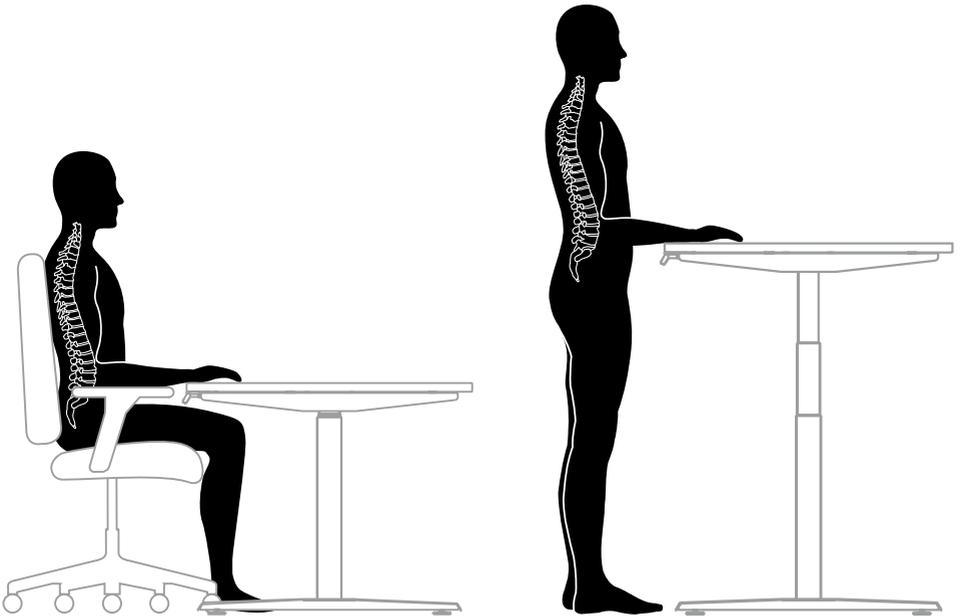
**Danger: risk of crashing due to lack of safe distance!** Ensure free movement of the lifting columns and the table top by placing away other furniture in safe distance of 25 mm. Make sure that no people, objects, building parts (e.g. ceilings, window doors) or other types of obstacles under or above the table top are in the way of height adjustment.



**Warning: Risk of tripping due to loose cables!** Make sure that all cables are properly managed. If necessary contact authorized personnel to relocate cables.

## 4. Workstation ergonomics

It is recommended to perform exercises and change body position while working. First, adjust the chair to your individual body dimensions and adjust the armrests accordingly. Your arms should be positioned at an angle of 90 degrees. Change your position from sitting to standing every 20 minutes.



## 5. Handling

Handling requires users caution and responsibility. This is not a toy, it is a machine. Read this manual and follow the instructions provided to reduce danger, ensure safe use of this workstation for end user and others around.



**Warning: risk of injury, especially for children!** Make sure that children and other people are at the safe distance when adjusting the height by handswitch or using sliding table top option.



**Warning: No personal protection!** The anti-collision system is provided for workstation during height adjustment – up and down movement. It is not active when the movement starts. This is not the protection for people or equipment placed on table top. If disregarded may result body injuries or material damage! It is the user's responsibility to check the surroundings for the risk of collision with people or objects nearby before adjusting the height.



**Warning: Risk of being pulled in by the lifting columns!** During height adjustment no objects, body parts or cables in the area of the lifting columns allowed.

## 6. Control panel functions: the up/down adjustment button

### 6.1 System initialisation / First start-up

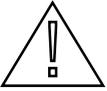
To ensure correct operation, the workstation base needs to be initialised before first use.



| Press and hold the “**down**” button until the workstation reaches its lowest position, then release the button.

The same function applies if the wires connecting the columns with the control module have been disconnected. If the control module is forcing initialisation, the workstation can only move “**down**” at slow speed.

Releasing the button too early may cause the workstation to malfunction. If this happens, the initialisation procedure must be repeated.



**Note:** Use only the control module provided by the manufacturer for each specific product type. The adjustment range limits have been set at the factory.



**Danger:** The anti-collision function is not active during an initialisation or reset procedure. Please always be mindful of a potential risk of crushing during those procedures.

### 6.2 Height adjustment

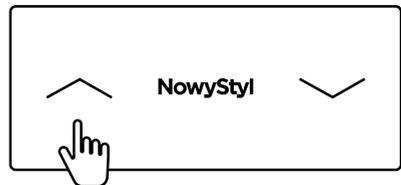
To decrease desk height:

| Press and hold the “**down**” button until the desired height is reached.



To increase desk height:

| Press and hold the “**up**” button until the desired height is reached.

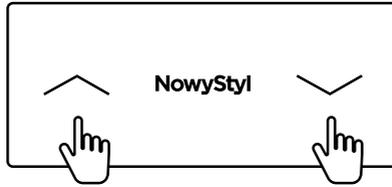


The “down”/“up” movement of the desk will continue until you release the button or until the lowest/highest possible position is reached.

On uneven floor, use glides to level the workstation before adjusting its height.

## 6.3 Reset

1. Press and hold both “**down**” and “**up**” buttons for at least 10 seconds or longer.



2. Proceed with system initialisation/first start-up procedure (6.1)

Releasing the buttons too early may cause the workstation to malfunction. If this happens, the initialisation procedure must be repeated.

## 7. Control panel – with display and memory function

### 7.1 System initialisation / First start-up

To ensure correct operation, the workstation base needs to be initialised before first use.



Press and hold the “**down**” button until the workstation reaches its lowest position, then release the button.

During the initialisation procedure, the  $rEF$  symbol will be shown on the display.

The same function applies if the wires connecting the columns with the control module have been disconnected, or when a height setting error has occurred in an end position, or when the actual height is not aligned with the height shown on the display. If the control module is forcing initialisation

(symbol  $C38$  on display), the workstation can only move “down” at slow speed.

Releasing the button too early may cause the workstation to malfunction. If this happens, the initialisation procedure must be repeated.

## 7.1 System initialisation / First start-up



**Note:** Use only the control module provided by the manufacturer for each specific product type. Adjustment range limits.



**Danger:** The anti-collision function is not activated during an initialisation or reset procedures. Please always be mindful of a potential risk of crushing during those procedures.

## 7.2 Height adjustment

To decrease desk height:

| Press and hold the “**down**” button until the desired height is reached.



To increase desk height:

| Press and hold the “**up**” button until the desired height is reached.



The “down”/“up” movement of the desk will continue until you release the button or until the lowest/highest possible position is reached.

On uneven floor, use glides to level the workstation before adjusting its height.

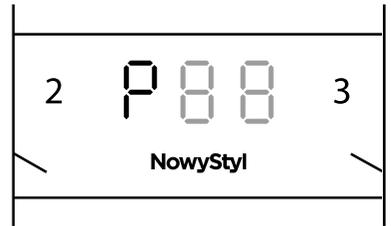
## 7.3 Saving a selected height setting

1. Use the **“up”** and **“down”** buttons to set the desired desk height – the height will be shown on the display.

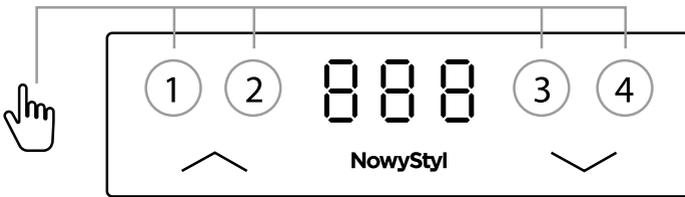


2. Press the **“logo”** button.

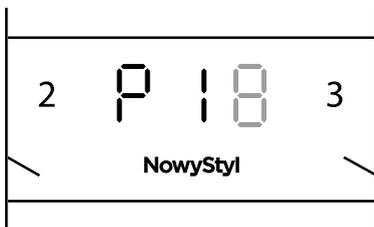
The **“P”** symbol will be shown on the display.



3. Press one of the buttons with a number: **1, 2, 3** or **4**.



The height setting will be saved under the selected number, and a symbol will appear on the display, e.g. P 1. After approx. 2 seconds, the value of the saved height setting will appear on the display.



Height settings can be saved.

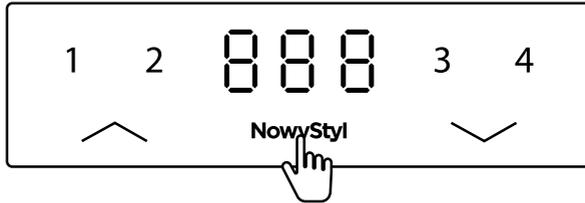
To set the workstation to a saved height setting press and hold the number button under which your selected height has been saved until the desired height is reached.

If the button is released before the saved height is reached, the top will stop at the height at which the button was released.

## 7.4 Changing the display measurement unit

Desk height can be displayed in centimetres or inches. To change the measurement unit:

1. Press and hold the **“logo”** button for approx. 5 seconds.



2. Confirm option **F** from the control panel menu by pressing the **“logo”** button again
3. Select one of the measurement units by pressing the **“up”** or **“down”** button.



The symbol **“I”** will appear for inches and **“C”** for centimetres.

4. Confirm the measurement unit selection by pressing the **“logo”** button. To exit the menu without making a selection, wait for about 10 seconds until the height value is shown on the display again.

## 7.5 Aligning the displayed height with the actual height.

If the actual height does not correspond to the height shown on the control panel display, it can be corrected. To do that, you need to:

1. Press and hold the **“logo”** button for approx. 5 seconds.



## 7.5 Aligning the displayed height with the actual height

2. Use the “down” or “up” buttons to select option **F2** from the menu.



3. Confirm the selection by pressing the “logo” button again.



4. Measure the actual height, then use the “up” or “down” button to increase or decrease the number on the display until the actual height value is reached.



5. Confirm the value by pressing the “logo” button again.

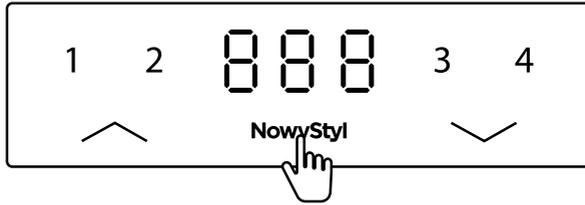


To exit the menu without making a selection, wait for about 10 seconds until the height value is shown on the display again.

## 7.6 Restoring default settings

To restore the workstation to default settings, perform the following steps:

1. Press and hold the “**logo**” button for approx. 5 seconds.



2. Use the “**down**” or “**up**” buttons to select option **F3** from the menu.



3. Confirm the selection by pressing the “**logo**” button again.



The **000** symbol will be shown on the display.

4. Press the “**logo**” button again.



Default settings have been restored. The **C 38** symbol will be shown on the display. Finish by performing system Initialisation/First start-up (7.1).

## 7.7 Setting the desk to stop at a desired lowest or highest position

This function acts as a collision protection with a pedestal under the desk or a window sill.

### A) SETTING THE LOWEST POSITION:

1. Use the “**up**” and “**down**” buttons to set the height of 960 mm or lower.



2. Press and hold the “**logo**” button for approx. 5 seconds.

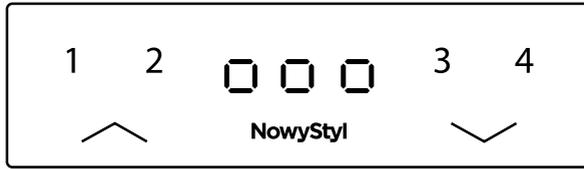


3. Use the “**down**” or “**up**” buttons to select option F4 from the menu and confirm with the “**logo**” button.



## 7.7 Setting the desk to stop at a desired lowest or highest position

A highlighted bar will appear on the display:



Use the “**down**” or “**up**” buttons to set the LOWEST desired position.



Confirm with the “**logo**” button.



### B) SETTING THE HIGHEST POSITION:

1. Use the “**up**” and “**down**” buttons to set the height of 980 mm or higher.



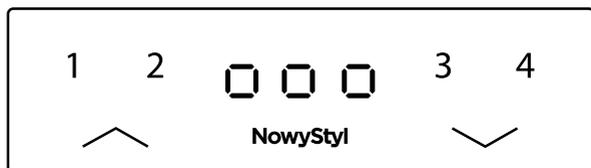
Press and hold the “**logo**” button for approx. 5 seconds.



2. Use the “down” or “up” buttons to select option F4 from the menu and confirm with the “logo” button.



A highlighted bar will appear on the display:



Use the “down” or “up” buttons to set the HIGHEST desired position.



Confirm with the “logo” button.



To cancel lowest or highest position stop settings:

1. Press and hold the **“logo”** button for approx. 5 seconds.



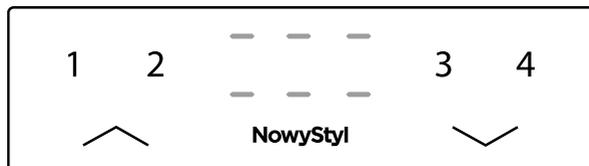
2. Use the **“down”** or **“up”** buttons to select option F5 from the menu.



3. Confirm setting with the the **“logo”** button.

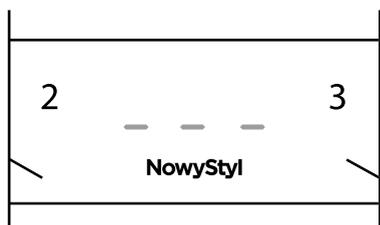


A highlighted bar will appear on the display.

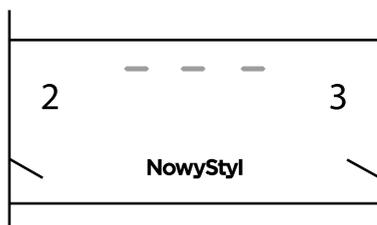


Use the **“down”** or **“up”** buttons to select

Lower limit to be deleted



Upper limit to be deleted



Confirm setting with the the **“logo”** button

## 7.8 Lock function

To protect the desk from unauthorized use, table movement can be activated or deactivated through the menu using a manual switch.

To activate or deactivate the lock function, proceed as follows:

1. Press and hold the **“logo”** button for approx. 5 seconds.



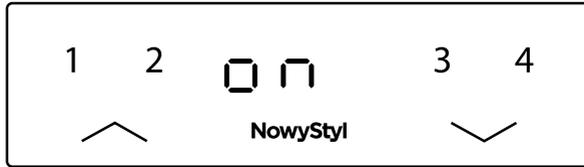
2. Use the **“down”** or **“up”** buttons to select option F11 from the menu.



3. Confirm setting with the the **“logo”** button.



4. Use the “**down**” or “**up**” buttons to select option ON or OFF where ON means regular functioning of the desk, OFF means locked position of the desk.



5. Press the “**logo**” button to confirm selected setting. If the “**logo**” button is not pressed within 10 seconds, selected setting is canceled.
6. If the lock function is active, pressing **up/down** button or selecting one of memory position will cause “OFF” appear on the display. To unlock use the F11 menu.

## 8. Malfunctions cause and solution

Type of error	Cause	Solution
The workstation does not move	Disconnected power cord	Connect the power cord, check its connection to the control module.
	No connection or inaccurate connection of electrical components	Check the component connections to the control module.
	No connection to the control panel	Connect the control panel to the control module.
	Maximum load exceeded	Reduce the load.
	Continuous adjustment time exceeded	Reactivation will take place after 3 minutes. <b>Note:</b> The maximum time of uninterrupted operation of the lifting mechanism is 2 minutes, followed by a break in desk adjustment of at least 18 minutes.
	DRIVE damage	Contact the Customer Service.
	Control module damage	
Drive damage		
The workstation performs only a slow downward movement	The control module forces initialisation or reset	Perform system initialisation / first start-up following the user manual.
The workstation moves slowly	Maximum load exceeded	Reduce the load on the desk top.
The workstation makes a short movement in one direction	No connection or inaccurate connection of electrical components	Check the component connections to the control module.
	Damaged drive	Contact the Customer Service.

## 9. Error messages on the display

Symbol on the display	Description	Solution	Display after troubleshooting
[ 0 1	Short-circuit motor 1	Pull out the mains plug! Remove the external short circuit, check the cables to the motors for possible damage or exchange the motor into the socket concerned. Put the control back into operation.	001-999 Normal height display
[ 0 2	Short-circuit motor 2		
[ 0 3	Short-circuit motor 3		
[ 0 5	Relay contact is sticking	Replace the control.	
[ 1 1	Cable of motor 1 was pulled	Check the cable or plug connection to the motors	[ 3 8 <sup>an</sup> initialization run is required
[ 1 2	Cable of motor 2 was pulled		
[ 1 3	Cable of motor 3 was pulled		
[ 1 5	Motor 1 none Pulses measurable	Check the cables to the motors for possible damage and secure contact or, if necessary, replace the motor at the relevant socket. Put the controller back into operation.	
[ 1 6	Motor 2 none Pulses measurable		
[ 1 7	Motor 3 none Pulses measurable		
[ 1 8	Motors have lost synchronisation	Max. load exceeded. Remove the load from the table.	
[ 3 4	Overcurrent at motor 1	Max. load exceeded. Remove the load from the table.	001-999 Normal height display
[ 3 5	Overcurrent at motor 2		
[ 3 6	Overcurrent at motor 3		
[ 3 7	Motors total current too high		
[ 3 8	Motors have lost synchronisation An initialization run is required	Motor positions too different. Distribute the load more evenly on the table. If necessary, reduce the load on the table. Perform an initialization run.	
[ 3 9	Cascading error a control is not communicating	Check whether the STAND.CONNECT connection cable between the controls is correctly plugged in and a power cable is plugged into both controls.  Use the <b>F3</b> menu to restore the factory settings in order to carry out a reconfiguration.	001-999 Normal height display  [ 3 8 <sup>an</sup> initialization run is required
[ 4 0	Sensor module error	Further movements are made without collision protection. Movement remains possible. Check sensor module.	001-999 Normal height display
[ 4 1	Internal sensor defect	Replace the control	–

## 9. Error messages on the display

Symbol on the display	Description	Solution	Display after troubleshooting
C51	Contradictory movement commands	Stop operation at all available hand switches or similar.	001-999 Normal height display
C52	A key on the hand switch is stuck.	Replace hand switch.	
C53			
C81	Voltage too low	Can occur after disconnecting the power cord.	001-999 Normal height display
		Power supply defective, replace control.	C38 <sup>an</sup> initialization run is required
C82	Voltage too high	Power supply defective, replace control.	C38 <sup>an</sup> initialization run is required
C84	No columns connected when the control is switched on	First connect the desired number of columns and hand switches and use the F3 menu to restore the factory settings	C38 <sup>an</sup> initialization run is required
C85	Number of columns does not match the current configuration	Check the motor cables or use the F3 menu to restore the factory settings.	
rEF	Initialization drive is being carried out.	Perform the initialization run to the lowest block position.	001-999 Normal height display
SP	System protection / system pause The duty cycle of the system has been exceeded	Wait until the control has cooled down and the display SP goes out. Then a travel time of 17s is enabled. Only after 18min can the table be used again for a full 2min. <b>ATTENTION:</b> If the mains voltage is switched off when there is not yet a full 2 minutes of travel time available and then switched on again earlier than 20 minutes, only approx. 20s of travel time are available and the duty cycle time calculation is restarted.	
COL	Collision detected without distinction	Remove the hindrance.	
SCC CON.STAND „C30“ for M1 „C31“ for M2 „C32“ for M3	Collision detected via motor hall signals		
SE7 CON.STAND „C27“	Collision detected via sensor		
CAL	Sensor calibration is running	Do not touch the table! There should be no vibrations on the table during calibration.	

Symbol on the display	Description	Solution	Display after troubleshooting
PAR	Parameter error	Use the F3 menu to restore the factory setting. If this does not correct the error, the control unit must be replaced or a valid parameter set must be loaded via CON.STAND.	C38 <sup>an</sup> initialization run is required
001- 999	The table moves, height display	cm Display without decimal point, Inch Display with decimal point and one decimal place.	—



**Note:** If a power failure occurs or the power cord is pulled out during height adjustment, initialization/start-up may be necessary.

If an error cannot be fixed as described above, unplug the power supply, wait a few minutes and try the system initialisation / first start-up procedure again.

If the error persists, disconnect the power supply and contact Customer Service.

## 10. Klick-Codes

As soon as the control module is supplied with power, the controller uses integrated relay to acoustically inform the user about system status and the reason for the most recent shut-down.

Click = Relay actuated, Clack = Relay dropping

Number of click-clacks	When	Status-Information
1x	the power is on	normal operation: the system works without any problem
1x	up button pressed	reset: initialization procedure required
7x	during movement connection with a drive is lost	error: table cannot be moved any more
2x	setting a container or shelf – stop	confirmation of the limit position successfully saved (only with the up&down hand switch without display)
4x	delete container or shelf – stop	confirmation for the successful deletion of the limited position (only with the up&down hand switch without display)
7x	the table moves unevenly	error: the drives do not have the same height, initialisation procedure required

# 11. Technical parameters

## eModel 2.0

Voltage	100–240 V / 50–60 Hz
Energy consumption	2,5 A
Rated power	250 W
Standby mode (power)	0,3 W
Ambient conditions required for operation	Temperature: +5 °C do +40 °C Humidity: 10 % do 85 %
Ambient conditions required for transport and storage	Temperature: -25°C to +70°C Humidity: 5% to 90% Temperature between +55°C and +70°C acceptable for a maximum of 24 hours
Maximum evenly distributed load	100 kg, 20 kg on one column desk
Maximum time of continuous operation	2 minutes on / 18 minutes off
Adjustment range	640–1300 mm (max: 660 mm, for one column desk 460 mm)
Noise emissions:	45 < dB(A)
Lifting speed:	38 mm / s
Anti-collision	External gyro sensor

## 12. Declaration of conformity

### Original EU-Konformitätserklärung Original EU Declaration of Conformity

im Sinne der EG-Richtlinie 2006/42/EG über Maschinen (Anhang II A)  
according to EC directive 2006/42/EC on machinery (Annex II A)

Name und Anschrift des Herstellers / Name and address of the manufacturer:

Nowy Styl Sp. z o.o.  
ul. Puzaka 49  
38-400 Krosno  
Poland

Diese Erklärung bezieht sich nur auf die Maschine in dem Zustand, in dem sie in Verkehr gebracht wurde; vom Endnutzer nachträglich angebrachte Teile und/oder nachträglich vorgenommene Eingriffe bleiben unberücksichtigt. Die Erklärung verliert ihre Gültigkeit, wenn das Produkt ohne Zustimmung wesentlich verändert wird.

*This declaration relates exclusively to the machinery in the state in which it was placed on the market, and excludes components which are added and/or operations carried out subsequently by the final user. The declaration is no more valid, if the product is modified without agreement.*

Hiermit erklären wir in alleiniger Verantwortung als Hersteller, dass die Maschine  
Herewith we declare in our sole responsibility as manufacturer, that the machinery

<b>Elektrisch höhenverstellbarer Bürotisch / Office table desk with electrical height adjustment</b>	
Produktgruppe / Product group:	Desk
Name / product name:	eModel 2.0
Modell / model:	T-leg base
Version / version:	with electric height adjustment

allen einschlägigen Harmonisierungsrechtsvorschriften der Union entspricht/  
is in conformity with the relevant Union harmonisation legislation:

Maschinenrichtlinie 2006/42/EG / Machinery Directive 2006/42/EC  
EMV-Richtlinie 2014/30/EU / EMC Directive 2014/30/EU  
EG-Niederspannungsrichtlinie 2014/35/EU / Low Voltage Directive 2014/35/EU

Angewandte (harmonisierte) Normen / (Harmonised) Standards applied

EN ISO 13849-1  
EN 60335-1  
EN 62233  
EN 61000-3-2  
EN 61000-3-3  
EN 61000-6-2  
EN 61000-6-3

EN 527-1  
EN 527-2  
DIN FB 147

Bevollmächtigter für die Zusammenstellung der relevanten technischen Unterlagen:

The person authorised to compile the relevant technical documentation:

Nowy Styl Sp. z o.o., construction department  
ul. Puzaka 49  
38-400 Krosno  
Poland

MEMBER OF THE BOARD  
CHIEF OPERATION OFFICER

Dariusz Przych

Krosno, 17/04/2020

Ort, Datum  
Place, Date

Name, Vorname und Funktion des Unterzeichners  
surname, first name and function of signatory

Unterschrift  
Signature

PROKURANT

Piotr Kozłowski

## 12. Declaration of conformity

### Original EU-Konformitätserklärung Original EU Declaration of Conformity

im Sinne der EG-Richtlinie 2006/42/EG über Maschinen (Anhang II A)  
according to EC directive 2006/42/EC on machinery (Annex II A)

#### Name und Anschrift des Herstellers / Name and address of the manufacturer:

Nowy Styl Sp. z o.o.  
ul. Pużaka 49  
38-400 Krosno  
Poland

Diese Erklärung bezieht sich nur auf die Maschine in dem Zustand, in dem sie in Verkehr gebracht wurde; vom Endnutzer nachträglich angebrachte Teile und/oder nachträglich vorgenommene Eingriffe bleiben unberücksichtigt. Die Erklärung verliert ihre Gültigkeit, wenn das Produkt ohne Zustimmung wesentlich verändert wird.

*This declaration relates exclusively to the machinery in the state in which it was placed on the market, and excludes components which are added and/or operations carried out subsequently by the final user. The declaration is no more valid, if the product is modified without agreement*

Hiermit erklären wir in alleiniger Verantwortung als Hersteller, dass die Maschine  
Herewith we declare in our sole responsibility as manufacturer, that the machinery

<b>Elektrisch höhenverstellbarer Bürotisch / Office table desk with electrical height adjustment</b>	
Produktgruppe / Product group:	Workbench
Name / product name:	eModel 2.0
Modell / model:	H base
Version / version:	with electric height adjustment

allen einschlägigen Harmonisierungsrechtsvorschriften der Union entspricht  
is in conformity with the relevant Union harmonisation legislation:

Maschinenrichtlinie 2006/42/EG / Machinery Directive 2006/42/EC  
EMV-Richtlinie 2014/30/EU / EMC Directive 2014/30/EU  
EG-Niederspannungsrichtlinie 2014/35/EU / Low Voltage Directive 2014/35/EU

#### Angewandte (harmonisierte) Normen / (Harmonised) Standards applied

EN ISO 13849-1  
EN 60335-1  
EN 62233  
EN 61000-3-2  
EN 61000-3-3  
EN 61000-6-2  
EN 61000-6-3

EN 527-1  
EN 527-2  
DIN FB 147

Bevollmächtigter für die Zusammenstellung der relevanten technischen Unterlagen:  
The person authorised to compile the relevant technical documentation:

Nowy Styl Sp. z o.o., construction department  
ul. Pużaka 49  
38-400 Krosno  
Poland

MEMBER OF THE BOARD  
CHIEF OPERATION OFFICER

  
Dariusz Rydrych

Krosno, 17/04/2020

Ort, Datum  
Place, Date

Name, Vorname und Funktion des Unterzeichners  
surname, first name and function of signatory

Unterschrift  
Signature

PROKURENT

  
Piotr Kozłowski

## 13. Maintenance, repairs, cleaning and care

Maintenance or repairs should be only carried out by qualified service personnel.



**Warning: Risk of electric shock!** Always disconnect the power cord before cleaning. Clean with a dry or slightly moist cloth. Never allow liquids contact with electrical components (e.g. cable, control module, lifting columns) otherwise, there is a risk of electric shock!

Clean with standard cleaning detergents. Make sure use only cleaning agents suitable for specific material (wood, plastic, metal etc.).

## 14. Disposal



**Note:** Disposal of desk components should always be carried out in accordance with local environmental regulations.

Owners of old electrical devices have to collect them separately from unsorted municipal waste.

Return the electro-waste at a collection point or use the collection service of electro-waste from your home.

Separate old batteries and old accumulators from the old device before handing them at collection point. The collection points for old devices are the collection points at the waste and recycling centers of the public waste disposal authorities or the return points of the distributors.

The disposal of old devices at the collection points of the municipalities and districts is free of charge. These inform private households, usually via information brochures such as a waste calendar or via the Internet, about the locations and opening times of the collection points as well as other options for collecting old equipment.



# PL

## Instrukcja obsługi

### Spis treści

<b>1</b>	OPIS SYMBOLI UŻYTYCH W INSTRUKCJI	<b>40</b>
<b>2</b>	PRZEZNACZENIE	<b>40</b>
<b>3</b>	PODSTAWOWE ZASADY BEZPIECZEŃSTWA	<b>41</b>
	3.1 Transport	<b>41</b>
	3.2 Podłączenie komponentów elektrycznych	<b>43</b>
	3.3 Podczas instalacji i użytkowania	<b>45</b>
	3.4 Zwolnienie blokady blatu przesuwne (dla stanowisk z blatem przesuwne)	<b>46</b>
	3.5 Inne instrukcje bezpieczeństwa	<b>47</b>
<b>4</b>	ERGONOMIA STANOWISKA PRACY	<b>46</b>
<b>5</b>	OBSŁUGA	<b>47</b>

## **6** FUNKCJE PANELU STEROWANIA OPCJA: PRZYCISK REGULACJI GÓRA/DÓŁ **48**

**6.1** Inicjalizacja systemu / Pierwsze uruchomienie **48**

**6.2** Regulacja wysokości **48**

**6.3** Reset do ustawień fabrycznych **49**

## **7** FUNKCJE PANELU STEROWANIA OPCJA: PANEL STERUJĄCY Z WYŚWIETLACZEM I FUNKCJĄ PAMIĘCI **49**

**7.1** Inicjalizacja systemu / Pierwsze uruchomienie **49**

**7.2** Regulacja wysokości **50**

**7.3** Zapamiętanie wybranej wysokości **51**

**7.4** Zmiana wyświetlanej jednostki miary **52**

**7.5** Dostosowanie wyświetlanej wysokości do wysokości rzeczywistej **53**

**7.6** Reset do ustawień fabrycznych **54**

**7.7** Ustawienie zatrzymania w wymaganym najniższym lub najwyższym położeniu **55**

**7.8** Funkcja blokady **59**

## **8** USTERKI **61**

## **9** INFORMACJA O BŁĘDACH NA WYŚWIETLACZU **62**

## **10** KODY - KLIKNIECIA **64**

## **11** PARAMETRY TECHNICZNE **65**

## **12** DEKLARACJA ZGODNOŚCI **66**

## **13** KONSERWACJA I CZYSZCZENIE **68**

## **14** UTYLIZACJA **68**

# 1. Opis symboli użytych w instrukcji



**Ogólne ostrzeżenie o niebezpieczeństwie: Niebezpieczeństwo:** Bezpośrednie zagrożenie życia i zdrowia! Nieprzestrzeganie tych ostrzeżeń może spowodować zagrożenie życia lub doprowadzić do zagrażających życiu obrażeń i szkód materialnych.



**Ostrzeżenie: 100–240 V AC – Ryzyko porażenia prądem!** Potencjalne ryzyko porażenia prądem. Nieprzestrzeganie tych ostrzeżeń może spowodować zagrożenie życia lub doprowadzić do zagrażających życiu obrażeń i szkód materialnych.



**Niebezpieczeństwo:** Ryzyko zmiążdżenia! Informacje dotyczące bezpiecznego użytkowania z eModel 2.0.

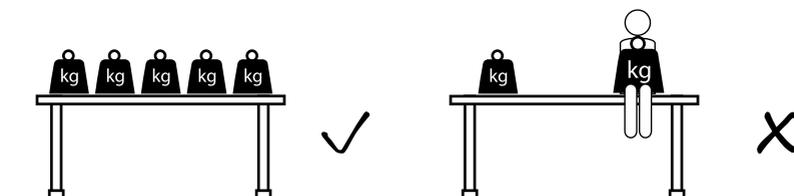


**Uwaga:** Informacje dotyczące bezpiecznego użytkowania z eModel 2.0.

# 2. Przeznaczenie

eModel 2.0 wyposażony w elektromotoryczny system regulacji wysokości, który został zaprojektowany do pracy w pozycji siedzącej lub stojącej, w suchych, zamkniętych pomieszczeniach, z dostępem do zasilania.

- | używać tylko zgodnie z danymi technicznymi / tabliczką znamionową
- | stosować tylko wtedy, gdy można osiągnąć bezpieczną odległość co najmniej 25 mm – między blatem biurka, a innym wyposażeniem stanowiska pracy, a także przedmiotami znajdującymi się nad/pod biurkiem na dowolnej wysokości,
- | stosować tylko przy równomiernie rozłożonym obciążeniu, maksymalny ciężar na blacie zgodny z danymi technicznymi,
- | użytkować przez osoby powyżej 16 roku życia, po poinstruowaniu o bezpiecznym użytkowaniu urządzenia i zrozumieniu związanego z tym ryzyka.



Waga równomiernie rozłożona.

## Przykłady zastosowania niezgodnego z przeznaczeniem:

- | stosować w wilgotnych pomieszczeniach,
- | używać w pozycji pochylonej,
- | niewłaściwy transport, montaż,
- | używać jako zamiennik windy,
- | przez osoby poniżej 16 roku życia,
- | przez osobę o ograniczonych zdolnościach fizycznych lub umysłowych, która nie rozumie związanego z tym ryzyka
- | jako siedzenie
- | wszystkie powyższe oraz wszelkie inne przykłady niezgodne z przeznaczeniem użytkowania, które nie zostało opisane, spowoduje utratę gwarancji!

## 3. Podstawowe zasady bezpieczeństwa



**Niebezpieczeństwo:** Postępuj zgodnie z poniższymi instrukcjami. Nieprzestrzeganie tych instrukcji może spowodować: poważne obrażenia lub śmierć.

### 3.1 Transport



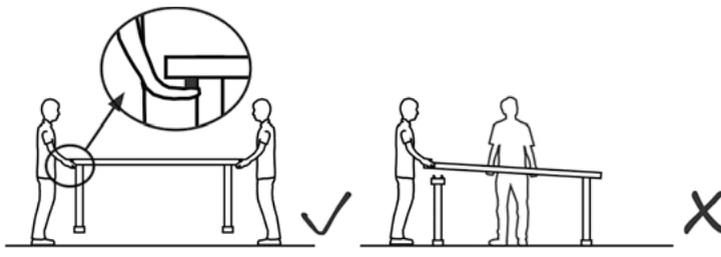
**Niebezpieczeństwo:** ryzyko zmiżdżenia lub innych obrażeń spowodowanych upadkiem podczas ruchu lub transportu. Niewłaściwy transport może spowodować uszkodzenie podzespołów i utratę gwarancji.

Aby zapobiec należy:

- | przestrzegać przepisów BHP dotyczących prawidłowego podnoszenia i przenoszenia ciężkich przedmiotów,
- | używać obuwia ochronnego i rękawic antypoślizgowych,
- | minimum 2 osoby wymagane do transportu
- | zabezpieczyć elementy przed upadkiem (np. wszystkie kable),
- | zwrócić uwagę na otoczenie podczas transportu, aby uniknąć kolizji z innymi ludźmi i przedmiotami.

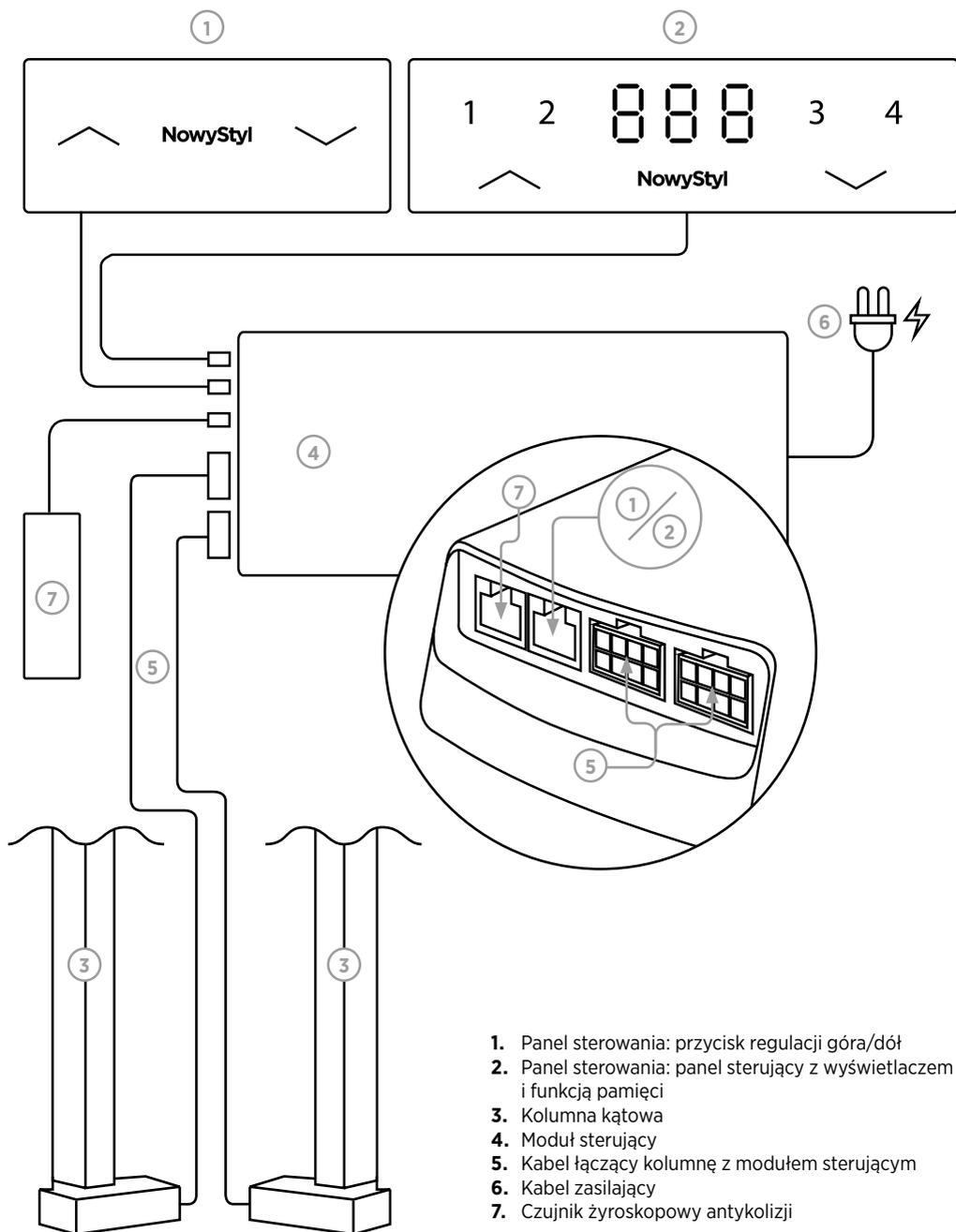
Przesuwanie stanowiska pracy po podłodze lub podnoszenie za blat stołu jest zabronione.

Zalecane przenoszenie przez dwie osoby trzymające stanowisko pracy za metalową ramę lub transport na wózku.



**Ostrzeżenie: 230 V AC – Niebezpieczeństwo porażenia prądem!** 230 V AC – Ochrona elementów elektrycznych przed wilgocią i wszelkimi płynami podczas transportu.

### 3.2 Podłączenie komponentów elektrycznych



## 3.2 Podłączenie komponentów elektrycznych

Komponenty elektryczne zostały wstępnie zmontowane i sprawdzone przez dostawcę podczas montażu fabrycznego. Jednakże, wady instalacji elektrycznej mogą wystąpić w wyniku nieprawidłowego transportu, instalacji lub niewłaściwego użytkowania.



### **Ostrzeżenie: 100–240 V AC – Niebezpieczeństwo porażenia prądem!**

Wilgoć, zgniecione lub przecięte kable mogą spowodować zwarcie lub pożar. Kontakt z wadliwymi elementami elektrycznymi może skutkować poważnymi obrażeniami lub śmiercią.

Aby zapobiec:

- | w przypadku podejrzenia lub zauważenia wady (hałasów lub zapachu), odłącz zasilanie. Powiadom innych użytkowników o zagrożeniu, oznacz wadliwe urządzenie i zgłoś potrzebę naprawy upoważnionemu personelowi,
- | podczas ustawiania urządzeń elektrycznych (np. telefony, monitory) długość przewodów połączeniowych musi kompensować zakres ruchu blatu 660 mm,
- | otwarcie lub jakiegokolwiek zmiany w elementach elektrycznych są zabronione,
- | w przypadku zbyt luźnego połączenia elementów elektrycznych powiadom upoważniony personel, nie dopuszczaj do kontaktu z wodą lub innymi płynami (np. napojów, wody z kwiatów) z urządzeniami elektrycznymi (np. jednostka, kolumny podnoszące),
- | przed jakimikolwiek zmianami w miejscu pracy odłącz zasilanie. Przed podłączeniem zasilania inne kable muszą być najpierw prawidłowo podłączone.

## 3.3 Podczas instalacji i użytkowania



**Niebezpieczeństwo:** niebezpieczeństwo zmiżdżenia na skutek nieprawidłowego montażu!

Nieprawidłowe wypoziomowanie może spowodować poważne uszkodzenia lub obrażenia. Powiadom autoryzowany personel o konieczności przywrócenia stabilności. Kiedy umieszczasz inne części mebla i przedmioty, zapewnij swobodny ruch kolumn podnoszących i blatu stołu. Wymagana bezpieczna odległość wokół stanowiska pracy to 25 mm.

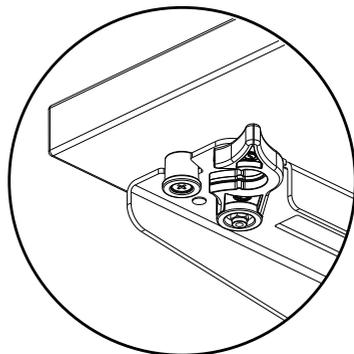
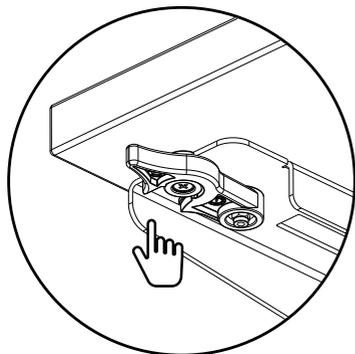
## 3.4 Zwolnienie blokady blatu przesuwanego (dla stanowisk z blatem przesuwającym)



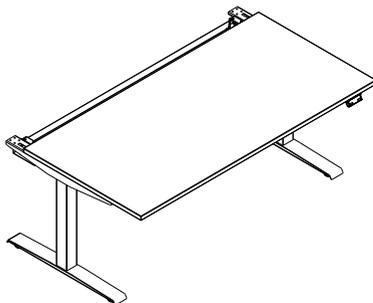
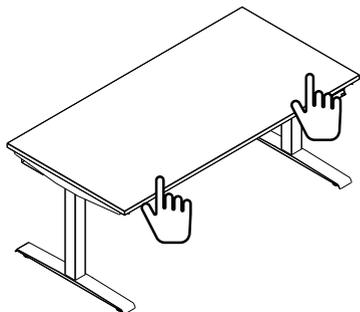
**Ostrzeżenie:** Ryzyko zmiżdżenia z powodu nieprawidłowej obsługi!

Przed użyciem funkcji przesuwającego blatu należy zdjąć urządzenia z blatu (np. monitory), ponieważ mogą spaść i spowodować uszkodzenia lub obrażenia. Dzieci nie mogą bawić się mechanizmem przesuwającego blatu.

1. Zwolnij blokadę przesuwania po prawej i lewej stronie na spodzie blatu biurka.



2. Przyciągnij blat biurka do siebie, trzymając go obiema rękami.



3. Aby ponownie zablokować blat w pozycji roboczej, popchnij go obiema rękami w przeciwnym kierunku.
4. Zablokuj funkcję przesuwania, dokręcając zamki po prawej i lewej stronie na spodzie blatu biurka.



**Uwaga:** Ryzyko zgniecenia lub przytrzaśnięcia podczas przesuwania blatu biurka.



**Uwaga:** Zakres przesuwu blatu biurka wynosi około 170 mm.

### 3.5 Inne instrukcje bezpieczeństwa



**Brak certyfikowanej ochrony!** Stanowisko wyposażone jest w system antykolizji podczas ruchu w górę i w dół. Nie obejmuje on jednak ochrony osobistej.

Przeczytaj i zachowaj oryginalną instrukcję obsługi w bezpiecznym miejscu dostępnym dla użytkowników. Nie wyrzucaj!



**Poziom hałas:** Silniki elektryczne w kolumnach podnoszących generują hałas poniżej wartości określonej przez prawo. Nie ma zagrożenia uszkodzeniem słuchu.



**Ostrzeżenie: Ryzyko przewrócenia się biurka i osunięcia przedmiotów z blatu z powodu przeciążenia!** Ostrzeżenie: Ryzyko osunięcia przedmiotów z blatu stołu i przewrócenia się stanowiska pracy z powodu przeciążenia! Przedmioty nierównomiernie rozmieszczone lub zbyt ciężkie mogą spowodować obrażenia i wywołać materialne szkody! Przeciążenie może również powodować wzrost poziomu hałasu. Zgodnie z informacjami zawartymi w „Danych technicznych” równomiernie rozłóż obciążenie na blacie stołu. Nie przekraczaj maksymalnego obciążenia.



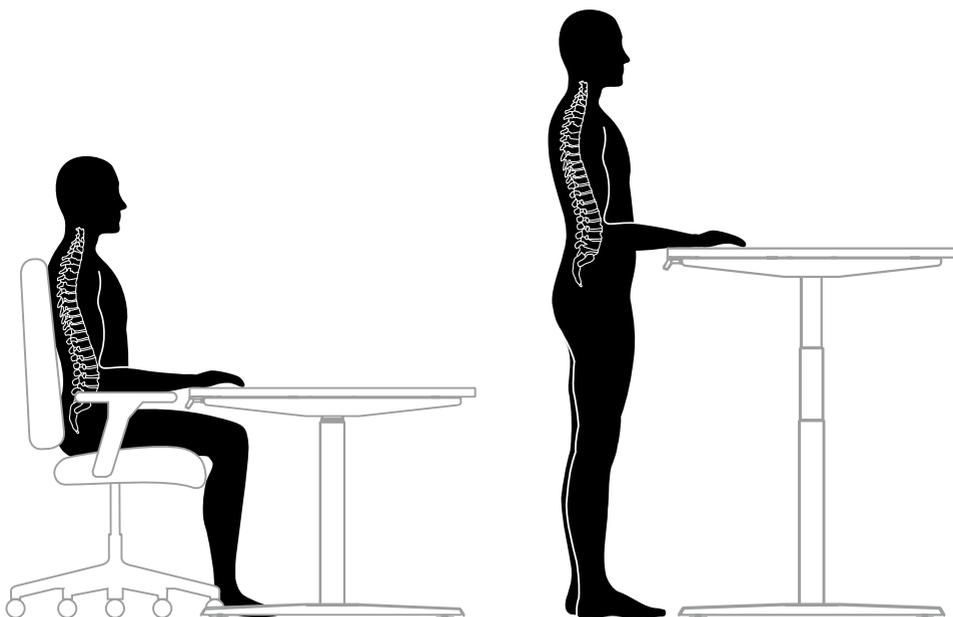
**Niebezpieczeństwo: ryzyko upadku z powodu braku bezpiecznej odległości!** Zapewnij swobodny ruch kolumnom podnoszącym i blatowi biurka, umieszczając inne meble w bezpiecznej odległości 25 mm. Upewnij się, że żadne osoby, przedmioty, części budynku (np. sufity, okna, drzwi) lub inne rodzaje przeszkód pod lub nad blatem stołu nie stoją na przeszkodzie w regulacji wysokości.



**Ostrzeżenie: Ryzyko potknięcia o luźne kable!** Upewnij się, że wszystkie kable są prawidłowo zarządzane. W razie potrzeby skontaktuj się z upoważnionym personelem w celu przeniesienia kabli.

## 4. Ergonomia stanowiska pracy

Podczas pracy zaleca się wykonywanie ćwiczeń i zmianę pozycji ciała. Najpierw dostosuj krzesło do indywidualnych wymiarów oraz odpowiednio wyreguluj podłokietniki. Twoje ramiona powinny znajdować się pod kątem 90 stopni. Zmieniaj pozycję z siedzącej na stojącą co 20 minut.



## 5. Obsługa

Obsługa biurka wymaga od użytkowników ostrożności i odpowiedzialności. To nie zabawka, to maszyna. Przeczytaj instrukcję, a następnie postępuj zgodnie z zaleceniami, aby zminimalizować niebezpieczeństwo i korzystać z biurka w sposób bezpieczny dla siebie oraz innych.



**Ostrzeżenie: ryzyko obrażeń, szczególnie u dzieci!** Podczas regulacji wysokości za pomocą panelu sterowania lub przy użyciu opcji błatu przesuwnego upewnij się, że dzieci i pozostałe osoby znajdują się w bezpiecznej odległości.



**Ostrzeżenie: Brak ochrony osobistej!** System antykolizji zapewnia ochronę stanowiska pracy podczas regulacji wysokości – ruch w górę i w dół. Nie jest aktywny, kiedy ruch się zaczyna i nie chroni osób oraz sprzętu umieszczonego na blacie. Nieprzestrzeganie może spowodować obrażenia ciała lub szkody materialne! Przed rozpoczęciem regulacji wysokości użytkownik jest odpowiedzialny za sprawdzenie otoczenia pod kątem ryzyka kolizji z ludźmi lub przedmiotami znajdującymi się w pobliżu.



**Ostrzeżenie: Ryzyko wciągnięcia przez kolumny podnoszące!** Podczas regulacji wysokości w obszarze kolumn podnoszących nie mogą znajdować się żadne przedmioty, części ciała ani kable.

## 6. Funkcje panelu sterowania opcja:

### Przycisk regulacji góra / dół

#### 6.1 Inicjalizacja systemu / Pierwsze uruchomienie

W celu zapewnienia poprawnej pracy stanowiska niezbędne jest przeprowadzenie inicjalizacji podstawy przed pierwszym jej użyciem.



| Wciśnij i przytrzymaj przycisk „w dół” do momentu, gdy stanowisko osiągnie najniższą pozycję, następnie zwolnij przycisk.

Ta sama funkcja ma zastosowanie jeśli odłączone zostały przewody łączące kolumny z modułem sterującym. Jeśli moduł sterujący wymusza inicjalizację, stanowisko może poruszać się wyłącznie „w dół” ze zwolnioną prędkością.

Zbyt wczesne zwolnienie przycisku może spowodować nieprawidłowe działanie stanowiska. Jeśli tak się stanie, musisz powtórzyć procedurę inicjalizacji.



**Uwaga:** Należy korzystać wyłącznie z modułu sterującego przewidzianego przez producenta dla poszczególnych typów produktów. Ograniczenia zakresu regulacji ustawione są fabrycznie.



**Niebezpieczeństwo:** Podczas procesu inicjalizacji lub resetu nie jest aktywowana funkcja antykolizji. Podczas tego procesu zawsze uważaj na potencjalne niebezpieczeństwo zmiżdżenia.

#### 6.2 Regulacja wysokości

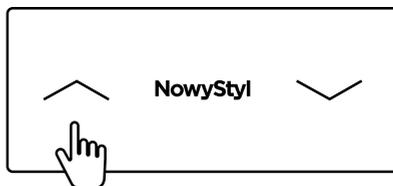
Aby obniżyć wysokość:

| Wciśnij przycisk „w dół” i przytrzymaj wciśnięty przycisk do momentu osiągnięcia pożądanej wysokości.



Aby podwyższyć wysokość:

| Wciśnij przycisk „w górę” i przytrzymaj wciśnięty przycisk do momentu osiągnięcia pożądanej wysokości.

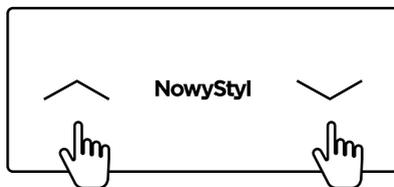


Ruch biurka „w dół”/„w górę” będzie kontynuowany do momentu zwolnienia przycisku lub osiągnięcia najniższej / najwyższej możliwej pozycji.

W przypadku nierównego podłoża przed przystąpieniem do regulacji wysokości wypoziomuj stanowisko za pomocą stopek.

## 6.3 Reset do ustawień fabrycznych

1. Wciśnij i przytrzymaj jednocześnie przycisk „**w górę**” i „**w dół**” przez 10 sekund.



2. Przeprowadź proces Inicjalizacji systemu/Pierwszego uruchomienia (6.1)

Zbyt wczesne zwolnienie przycisku może spowodować nieprawidłowe działanie stanowiska. Jeśli tak się stanie, musisz powtórzyć procedurę inicjalizacji.

## 7. Funkcje panelu sterowania opcja: Panel sterujący z wyświetlaczem i funkcją pamięci

### 7.1 Inicjalizacja systemu / Pierwsze uruchomienie

W celu zapewnienia poprawnej pracy stanowiska niezbędne jest przeprowadzenie inicjalizacji podstawy przed pierwszym jej użyciem.



Wciśnij i przytrzymaj przycisk „**w dół**” do momentu, gdy stanowisko osiągnie najniższą pozycję, następnie zwolnij przycisk.

Podczas procedury inicjalizacji na wyświetlaczu pojawi się symbol  $r-EE$ .

Ta sama funkcja ma zastosowanie jeśli odłączone zostały przewody łączące kolumny z modułem sterującym, lub gdy wystąpił błąd ustawienia wysokości w pozycji końcowej, lub gdy rzeczywista wysokość nie jest wyrównana z wysokością pokazaną na wyświetlaczu. Jeśli moduł sterujący wymusza inicjalizację, stanowisko może poruszać się wyłącznie „w dół” ze zwolnioną prędkością.

Zbyt wczesne zwolnienie przycisku może spowodować nieprawidłowe działanie stanowiska. Jeśli tak się stanie, musisz powtórzyć procedurę inicjalizacji.

## 7.1 Inicjalizacja systemu / Pierwsze uruchomienie



**Uwaga:** Należy korzystać wyłącznie z modułu sterującego przewidzianego przez producenta dla poszczególnych typów produktów. Ograniczenia zakresu regulacji ustawione są fabrycznie.



**Niebezpieczeństwo:** Podczas procesu inicjalizacji lub resetu nie jest aktywowana funkcja antykolizji. Podczas tego procesu zawsze uważaj na potencjalne niebezpieczeństwo zmiążdżenia.

## 7.2 Regulacja wysokości

Aby obniżyć wysokość:

| Wciśnij przycisk „**w dół**” i przytrzymaj wciśnięty przycisk do momentu osiągnięcia pożądanej wysokości.



Aby podwyższyć wysokość:

| Wciśnij przycisk „**w górę**” i przytrzymaj wciśnięty przycisk do momentu osiągnięcia pożądanej wysokości.



Ruch biurka „w dół” / „w górę” będzie kontynuowany do momentu zwolnienia przycisku lub osiągnięcia najniższej / najwyższej możliwej pozycji.

W przypadku nierównego podłoża przed przystąpieniem do regulacji wysokości wypoziomuj stanowisko za pomocą stopek.

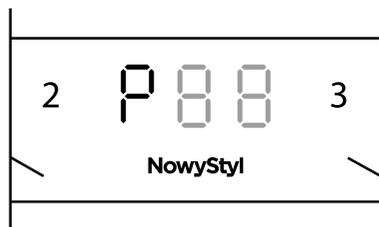
## 7.3 Zapamiętanie wybranej wysokości

1. Za pomocą przycisku „w górę” lub „w dół” ustaw stół do pożądanej wysokości - wysokość pojawi się na wyświetlaczu.

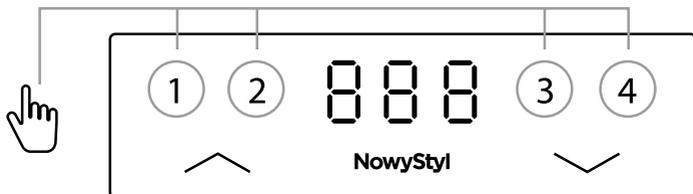


2. Wciśnij przycisk „logo”.

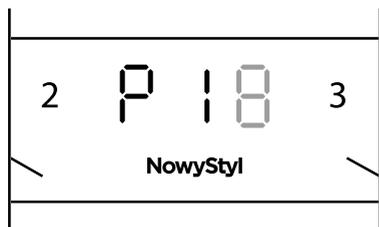
Na wyświetlaczu pojawi się symbol „P”.



3. Wciśnij jeden z przycisków oznaczonych cyfrą: 1, 2, 3 lub 4.



Wysokość zostanie zapamiętana pod wybraną cyfrą, na wyświetlaczu pojawi się symbol np. P1.  
Po ok. 2 sekundach na wyświetlaczu pojawi się wartość zapamiętanej wysokości.



Istnieje możliwość zapisania do 4 wysokości.

W celu regulacji do zapamiętanej wysokości wciśnij i przytrzymaj wciśnięty przycisk oznaczony cyfrą, pod którą została zapamiętana wybrana wysokość do momentu osiągnięcia zapamiętanej wysokości. W przypadku zwolnienia przycisku zanim zapamiętana wysokość zostanie osiągnięta, blat zatrzyma się na wysokości, na której zwolniony został przycisk.

## 7.4 Zmiana wyświetlanej jednostki miary

Wysokość może być wyświetlana w centymetrach lub calach. Aby zmienić jednostkę miary:

1. Wciśnij i przytrzymaj około 5 sekund przycisk „**logo**”.



2. Zatwierdź z menu panelu sterowania opcję **Fi** poprzez ponowne wciśnięcie przycisku „**logo**”.
3. Wybierz jedną z miar poprzez wciśnięcie przycisku „**w górę**” lub „**w dół**”.



Dla cali pojawi się symbol „I” dla centymetrów symbol „C”.

4. Potwierdź wybór miary poprzez wciśnięcie przycisku „**logo**”. Aby wyjść z menu bez dokonywania wyboru, odczekaj około 10 sekund, aż ponownie na wyświetlaczu pojawi się wartość wysokości.

## 7.5 Dostosowanie wyświetlanej wysokości do wysokości rzeczywistej

W przypadku, gdy wysokość rzeczywista nie odpowiada wysokości widocznej na wyświetlaczu panelu sterującego, można ją skorygować. W tym celu:

1. Wciśnij i przytrzymaj około 5 sekund przycisk „**logo**”.



## 7.5 Dostosowanie wyświetlanej wysokości do wysokości rzeczywistej

2. Za pomocą przycisków „w dół” lub „w górę”, wybierz z menu opcję **F2**.



3. Zatwierdź wybór ponownie wciskając przycisk „logo”.



4. Zmierz rzeczywistą wysokość, następnie za pomocą przycisku „w górę” lub „w dół” zwiększ lub zmniejsz cyfrę na wyświetlaczu do odpowiadającej rzeczywistej wysokości.



5. Zatwierdź wartość wciskając ponownie przycisk „logo”.



Aby wyjść z menu bez dokonywania wyboru, odczekaj około 10 sekund, aż ponownie na wyświetlaczu pojawi się wartość wysokości.

## 7.6 Reset do ustawień fabrycznych

W celu przywrócenia stanowiska do ustawień fabrycznych, wykonaj następujące czynności:

1. Wciśnij i przytrzymaj około 5 sekund przycisk „**logo**”.



2. Za pomocą przycisków „**w dół**” lub „**w górę**”, wybierz z menu opcję **F3**.



3. Zatwierdź wybór ponownie wciskając przycisk „**logo**”.



Na wyświetlaczu pojawi się symbol **000**.

4. Ponownie wciśnij przycisk „logo”.



Ustawienia fabryczne zostały przywrócone. Na wyświetlaczu pojawi się symbol **038**.  
Zakończ wykonując Inicjalizację systemu / Pierwsze uruchomienie - (7.1).

## 7.7 Ustawienie zatrzymania w wymaganym najniższym lub najwyższym położeniu

Funkcja ta zabezpiecza przed kolizją z np. kontenerem znajdującym się pod biurkiem lub parapetem okiennym.

### A) USTAWIANIE NAJNIŻSZEJ WYMAGANEJ POZYCJI

1. Za pomocą przycisku „w górę” lub „w dół” ustaw stół na wysokość 96 lub mniej.



2. Wciśnij i przytrzymaj około 5 sekund przycisk „logo”.

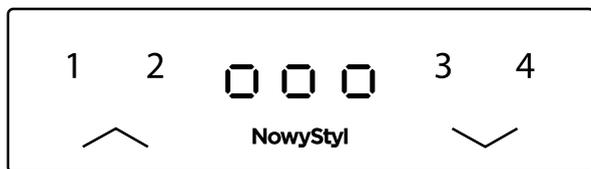


3. Za pomocą przycisków „w dół” lub „w górę”, wybierz z menu opcję F4 i zatwierdź wciskając ponownie przycisk „logo”.



## 7.7 Ustawienie zatrzymania w wymaganym najniższym lub najwyższym położeniu

Na wyświetlaczu pojawi się podświetlony pasek.



Za pomocą przycisku „w górę” lub „w dół” ustaw stół na NAJNIŻSZĄ wymaganą wysokość.



Zatwierdź wciskając przycisk „logo”.



### B) USTAWIANIE NAJWYŻSZEJ WYMAGANEJ POZYCJI

1. Za pomocą przycisku „w górę” lub „w dół” ustaw stół na wysokość 98 lub więcej.



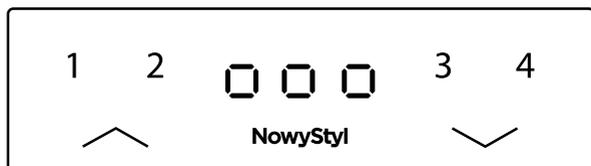
2. Wciśnij i przytrzymaj około 5 sekund przycisk „logo”.



3. Za pomocą przycisków „**w dół**” lub „**w górę**”, wybierz z menu opcję F4 i zatwierdź wciskając ponownie przycisk „**logo**”.



Na wyświetlaczu pojawi się podświetlony pasek.



Za pomocą przycisku „**w górę**” lub „**w dół**” ustaw stół na NAJWYŻSZĄ wymaganą wysokość



Zatwierdź wciskając przycisk „**logo**”.



By anulować ustawienie zatrzymanie w najwyższym położeniu.

1. Wciśnij i przytrzymaj około 5 sekund przycisk „logo”.



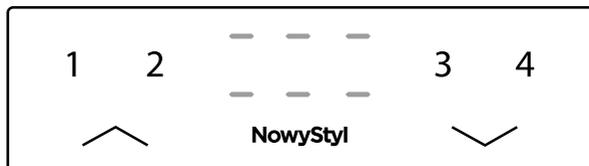
2. Za pomocą przycisków „w dół” lub „w górę”, wybierz z menu opcję F5



3. Zatwierdź wciskając ponownie przycisk „logo”.

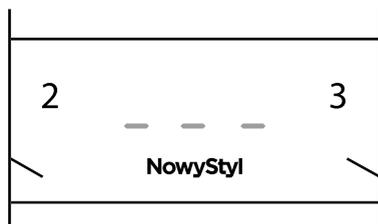


Na wyświetlaczu pojawi się podświetlony pasek.

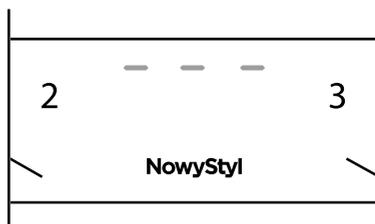


Użyj przycisków „w dół” lub „w górę”, aby wybrać:

Usunięcie dolnego limitu



Usunięcie górnego limitu



Zatwierdź wciskając ponownie przycisk „logo”.

## 7.8 Funkcja blokady

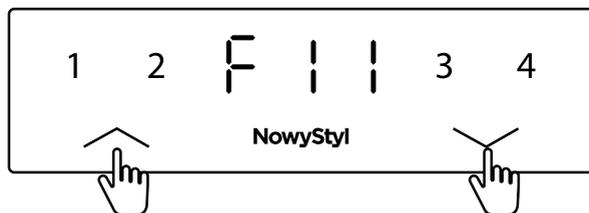
Aby zabezpieczyć stół przed nieupoważnionym użyciem, ruch stołu może być aktywowany lub dezaktywowany poprzez menu za pomocą przełącznika ręcznego.

Aby aktywować lub dezaktywować funkcję blokady, postępuj wg wskazówek:

1. Wciśnij i przytrzymaj około 5 sekund przycisk **"logo"**.



2. Za pomocą przycisków „**w dół**” lub „**w górę**”, wybierz z menu opcję F11.



3. Zatwierdź wciskając ponownie przycisk **"logo"**.



4. Za pomocą przycisków „**w dół**” lub „**w górę**” zmień ustawienia na „ON” lub „OFF”, gdzie “ON” oznacza normalną pracę biurka, a “OFF” oznacza biurko zablokowane.



5. Ponowne naciśnięcie przycisku “**logo**” spowoduje zapisanie ustawień. W przypadku odczekania 10 sekund bez naciskania “**logo**”, zmiany zostają anulowane.
6. Jeśli funkcja blokady jest aktywna, użycie przycisku “**w górę**”, „**w dół**” lub wybranie jednej z 4 zapisanych w pamięci biurka wysokości, spowoduje wyświetlenie komunikatu “OFF”. W celu odblokowania, należy użyć menu F11.

## 8. Usterki

Rodzaj błędu	Przyczyna	Rozwiązanie
Stanowisko nie wykonuje żadnego ruchu	Odłączony kabel zasilania	Podłącz kabel zasilający, sprawdź jego połączenie z modułem sterującym.
	Brak połączenia lub niedokładne połączenie komponentów elektrycznych	Sprawdź połączenia komponentów z modułem sterującym.
	Brak połączenia z panelem sterowania	Podłącz panel sterowania do modułu sterującego.
	Przekroczone obciążenie	Zredukuj obciążenie.
	Przekroczony czas nieprzerwanej regulacji	Reaktywacja nastąpi po 3 minutach. <b>Uwaga!</b> Maksymalny, nieprzerwany czas pracy mechanizmu podnoszenia może wynosić 2 minuty, po których musi nastąpić przerwa w regulacji biurka wynosząca co najmniej 18 minut.
	Uszkodzenie silnika	Skontaktuj się z Działem Obsługi Klienta.
	Uszkodzenie modułu sterującego	
Uszkodzenie napędu		
Stanowisko wykonuje wyłącznie powolny ruch „w dół”	Moduł sterujący wymusza inicjalizację lub reset	Przeprowadź proces Inicjalizacji systemu/ Pierwszego uruchomienia postępując zgodnie z instrukcją.
Stanowisko wykonuje powolny ruch	Przekroczone obciążenie	Zredukuj obciążenie na blacie.
Stanowisko wykonuje krótki ruch w jednym kierunku	Brak połączenia lub niedokładne połączenie komponentów elektrycznych	Sprawdź połączenia komponentów z modułem sterującym.
	Uszkodzony napęd	Skontaktuj się z Działem Obsługi Klienta.

## 9. Informacja o błędach na wyświetlaczu

Wyświetlany symbol	Opis	Rozwiązanie	Symbol wyświetlany po rozwiązaniu
[ 0 1	Zwarcie silnika 1	Odłącz zasilanie. Sprawdź czy kable łączące kolumnę z modułem sterującym nie są uszkodzone lub podłącz odpowiedni silnik do odpowiedniego gniazda. W razie potrzeby przeprowadź proces Inicjalizacji systemu/ Pierwszego uruchomienia postępując zgodnie z instrukcją.	001-999 wyświetlenie normalnej wysokości
[ 0 2	Zwarcie silnika 2		
[ 0 3	Zwarcie silnika 3		
[ 0 5	Błąd przekaźnika	Wymień moduł sterujący	
[ 1 1	Kabel łączący silnik 1 odłączony	Sprawdź połączenie kabli łączących kolumnę z modułem sterującym.	[ 3 8 wymagany proces inicjalizacji / pierwszego uruchomienia
[ 1 2	Kabel łączący silnik 2 odłączony		
[ 1 3	Kabel łączący silnik 3 odłączony		
[ 1 5	Brak mierzalnego ruchu silnika 1	Odłącz zasilanie. Sprawdź czy kable lub wtyczki kabli łączące kolumnę z modułem sterującym nie są uszkodzone, jeśli konieczne wymień kabel łączący napęd kolumny do odpowiedniego gniazda. Uruchom ponownie sterownik.	
[ 1 6	Brak mierzalnego ruchu silnika 2		
[ 1 7	Brak mierzalnego ruchu silnika 3		
[ 1 8	Utrata synchronizacji silników	Przekroczono maksymalne obciążenie błatu. Zdejmij obciążenie.	
[ 3 4	Przeciążenie silnika 1	Przekroczono maksymalne obciążenie błatu. Zdejmij obciążenie.	001-999 wyświetlenie normalnej wysokości
[ 3 5	Przeciążenie silnika 2		
[ 3 6	Przeciążenie silnika 3		
[ 3 7	Zbyt wysokie napięcie		
[ 3 8	Utrata synchronizacji silników. Wymagany proces inicjalizacji / pierwszego uruchomienia	Rozmieść obciążenie równomiernie. Jeśli konieczne odciąż błat. Przeprowadź proces pierwszego uruchomienia/inicjalizacji.	
[ 3 9	Brak komunikacji błędu sterownika	Sprawdź czy kable są prawidłowo podpięte do sterownika oraz sieci.	001-999 wyświetlenie normalnej wysokości
		Użyj F3 menu do przywrócenia ustawień fabrycznych celem rekonfiguracji.	[ 3 8 wymagany proces inicjalizacji / pierwszego uruchomienia

## 9. Informacja o błędach na wyświetlaczu

Wyświetlany symbol	Opis	Rozwiązanie	Symbol wyświetlany po rozwiązaniu
[ 40	Błąd czujnika antykolizji	Regulacja wysokości jest możliwa lecz bez systemu antykolizji. Sprawdź zewnętrzny czujnik antykolizji, jego połączenie z modułem sterującym.	001-999 wyświetlenie normalnej wysokości
[ 41	Uszkodzenie wewnętrznego czujnika	Wymień sterownik	–
[ 51	Sprzeczne polecenia ruchu	Zatrzymaj pracę wszystkich dostępnych paneli sterowania.	001-999 wyświetlenie normalnej wysokości
[ 52	Zawieszenie się przycisku „w górę”	Wymień panel sterowania.	
[ 53			
[ 81	Za niskie napięcie	Może wystąpić po odłączeniu przewodu zasilającego.	001-999 wyświetlenie normalnej wysokości
		Uszkodzony zasilacz, wymień sterownik.	[ 38 wymagany proces inicjalizacji / pierwszego uruchomienia
[ 82	Za wysokie napięcie	Uszkodzony zasilacz, wymień sterownik.	[ 38 wymagany proces inicjalizacji / pierwszego uruchomienia
[ 84	Kolumny nie zostały podpięte.	Podłącz kolumny i panele sterowania, użyj menu F3 do przywrócenia ustawień fabrycznych.	[ 38 wymagany proces inicjalizacji / pierwszego uruchomienia
[ 85	Liczba kolumn nie pasuje do konfiguracji.	Sprawdź połączenie kabli do silników, użyj menu F3 by powrócić do ustawień fabrycznych.	[ 38 wymagany proces inicjalizacji / pierwszego uruchomienia
rEF	Proces inicjalizacji w trakcie.	Przeprowadź proces inicjalizacji do najniższej możliwej wysokości.	
SP	Ochrona systemu przed przegrzaniem. Cykl pracy został przekroczony.	Odczekaj, aż sterownik ostygnie i komunikat SP się wyłączy. Sterownik zezwoli na ruch przez 17s. Po 18 minutach przerwy stanowisko może być ponownie regulowane nieprzerwanie przez maksymalnie 2 minuty.	
[ 0L	Wykryto kolizję bez rozróżnienia.	Usuń przeszkodę.	001-999 wyświetlenie normalnej wysokości
SCC CON.STAND „C30” for M1 „C31” for M2 „C32” for M3	Wykryto kolizję poprzez silnik.		
SEn CON.STAND „C27”	Wykryto kolizję poprzez czujnik.		

Wyświetlany symbol	Opis	Rozwiązanie	Symbol wyświetlany po rozwiązaniu
CAL	Czujnik jest w trakcie kalibracji	Nie dotykać stołu! Podczas kalibracji nie powinno być żadnych wibracji stołu.	001-999 wyświetlenie normalnej wysokości
PAR	Błąd parametru.	Użyj menu F3 by przywrócić ustawienia fabryczne. Jeśli to nie naprawi błędu, należy wymienić jednostkę sterującą lub należy załadować prawidłowy zestaw parametrów, w tym celu skontaktuj się z Działem Obsługi Klienta.	C38 wymagany proces inicjalizacji / pierwszego uruchomienia
001-999	Stół się porusza, wyświetlacz wysokości.	Wyświetlacz w cm bez kropki dziesiętnej, w calach wyświetlacz z kropką dziesiętną i jedno miejsce po przecinku.	-



**Uwaga:** Jeśli podczas regulacji wysokości wystąpi awaria zasilania lub odłączony zostanie kabel zasilający, konieczny może być reset.

Jeśli błędu nie można naprawić w sposób opisany powyżej, odłącz zasilanie, odczekaj kilka minut i spróbuj ponownie przeprowadzić procedurę Inicjalizacji systemu/ Pierwszego uruchomienia.

Jeśli błąd nadal występuje, odłącz zasilanie i skontaktuj się z Działem Obsługi Klienta.

## 10. Kody – kliknięcia

Gdy tylko moduł sterujący zostanie zasilony, sterownik wykorzystuje zintegrowany przełącznik, aby akustycznie poinformować użytkownika o stanie systemu i przyczynie ostatniego wyłączenia.

Kliknięcie = przełącznik uruchomiony, Clack = opuszczenie przełącznika

Liczba sygnałów dźwiękowych	Kiedy	Informacje o statusie
1x	zasilanie jest włączone	normalna praca: system działa bez żadnych problemów
1x	przycisk w górę jest wciśnięty	reset: wymagana procedura inicjalizacji
7x	utracone połączenie z napędem w trakcie ruchu	błąd: nie można użytkować
2x	ustawienie ograniczenia zakresu regulacji (zabezpieczenie przed kolizją z kontenerem lub półką)	potwierdzenie pomyślnie zapisanej pozycji granicznej (tylko dla przycisku regulacji góra/dół)
4x	usunięcie ograniczenia zakresu regulacji (zabezpieczenia przed kolizją z kontenerem lub półką)	potwierdzenie pomyślnego usunięcia pozycji granicznej (tylko dla przycisku regulacji góra/dół)
7x	stół porusza się nierównomiernie	błąd: utrata synchronizacji wysokości, procedura inicjalizacji wymagana

# 11. Parametry techniczne

## eModel 2.0

Napięcie	100–240 V / 50–60 Hz
Zużycie prądu	2,5 A
Moc znamionowa	250 W
Standby (moc)	0,3 W
Wymagane warunki otoczenia podczas eksploatacji	Temperatura: +5 °C do +40 °C Wilgotność: 10 % do 85 %
Wymagane warunki otoczenia podczas transportu i przechowywania	Temperatura: -25 °C do +70°C Wilgotność: 5 % do 90 % Temperatura od +55 °C do +70°C dopuszczalna maksymalnie przez 24 godziny
Maksymalne obciążenie równomiernie rozłożone	100 kg, 20 kg na jednym biurku kolumnowym
Maksymalny czas pracy ciągłej	2 min wł./ 18 min wył.
Zakres regulacji	640–1300 mm (max: 660 mm, na jedną kolumnę biurka 460 mm)
Emisja hałasu:	45 < dB(A)
Prędkość podnoszenia:	38 mm / s
Antykolizja	Zewnętrzny czujnik żyroskopowy

## 12. Deklaracja zgodności

### Original EU-Konformitätserklärung Original EU Declaration of Conformity

im Sinne der EG-Richtlinie 2006/42/EG über Maschinen (Anhang II A)  
according to EC directive 2006/42/EC on machinery (Annex II A)

Name und Anschrift des Herstellers / Name and address of the manufacturer:

Nowy Styl Sp. z o.o.  
ul. Puzaka 49  
38-400 Krosno  
Poland

Diese Erklärung bezieht sich nur auf die Maschine in dem Zustand, in dem sie in Verkehr gebracht wurde; vom Endnutzer nachträglich angebrachte Teile und/oder nachträglich vorgenommene Eingriffe bleiben unberücksichtigt. Die Erklärung verliert ihre Gültigkeit, wenn das Produkt ohne Zustimmung wesentlich verändert wird.

*This declaration relates exclusively to the machinery in the state in which it was placed on the market, and excludes components which are added and/or operations carried out subsequently by the final user. The declaration is no more valid, if the product is modified without agreement.*

Hiermit erklären wir in alleiniger Verantwortung als Hersteller, dass die Maschine  
Herewith we declare in our sole responsibility as manufacturer, that the machinery

Elektrisch höhenverstellbarer Bürotisch / Office table desk with electrical height adjustment	
Produktgruppe / Product group:	Desk
Name / product name:	eModel 2.0
Modell / model:	T-leg base
Version / version:	with electric height adjustment

allen einschlägigen Harmonisierungsrechtsvorschriften der Union entspricht/  
is in conformity with the relevant Union harmonisation legislation:

Maschinenrichtlinie 2006/42/EG / Machinery Directive 2006/42/EC  
EMV-Richtlinie 2014/30/EU / EMC Directive 2014/30/EU  
EG-Niederspannungsrichtlinie 2014/35/EU / Low Voltage Directive 2014/35/EU

Angewandte (harmonisierte) Normen / (Harmonised) Standards applied

EN ISO 13849-1  
EN 60335-1  
EN 62233  
EN 61000-3-2  
EN 61000-3-3  
EN 61000-6-2  
EN 61000-6-3

EN 527-1  
EN 527-2  
DIN FB 147

Bevollmächtigter für die Zusammenstellung der relevanten technischen Unterlagen:  
The person authorised to compile the relevant technical documentation:

Nowy Styl Sp. z o.o., construction department  
ul. Puzaka 49  
38-400 Krosno  
Poland

MEMBER OF THE BOARD  
CHIEF OPERATION OFFICER

  
Dariusz Przych

Krosno, 17/04/2020

Ort, Datum  
Place, Date

Name, Vorname und Funktion des Unterzeichners  
surname, first name and function of signatory

Unterschrift  
Signature

PROKURANT

  
Piotr Kozłowski

## 12. Deklaracja zgodności

### Original EU-Konformitätserklärung Original EU Declaration of Conformity

im Sinne der EG-Richtlinie 2006/42/EG über Maschinen (Anhang II A)  
according to EC directive 2006/42/EC on machinery (Annex II A)

Name und Anschrift des Herstellers / Name and address of the manufacturer:

Nowy Styl Sp. z o.o.  
ul. Pużaka 49  
38-400 Krosno  
Poland

Diese Erklärung bezieht sich nur auf die Maschine in dem Zustand, in dem sie in Verkehr gebracht wurde; vom Endnutzer nachträglich angebrachte Teile und/oder nachträglich vorgenommene Eingriffe bleiben unberücksichtigt. Die Erklärung verliert ihre Gültigkeit, wenn das Produkt ohne Zustimmung wesentlich verändert wird.

*This declaration relates exclusively to the machinery in the state in which it was placed on the market, and excludes components which are added and/or operations carried out subsequently by the final user. The declaration is no more valid, if the product is modified without agreement*

Hiermit erklären wir in alleiniger Verantwortung als Hersteller, dass die Maschine  
Herewith we declare in our sole responsibility as manufacturer, that the machinery

<b>Elektrisch höhenverstellbarer Bürotisch / Office table desk with electrical height adjustment</b>	
Produktgruppe / Product group:	Workbench
Name / product name:	eModel 2.0
Modell / model:	H base
Version / version:	with electric height adjustment

allen einschlägigen Harmonisierungsrechtsvorschriften der Union entspricht  
is in conformity with the relevant Union harmonisation legislation:

Maschinenrichtlinie 2006/42/EG / Machinery Directive 2006/42/EC  
EMV-Richtlinie 2014/30/EU / EMC Directive 2014/30/EU  
EG-Niederspannungsrichtlinie 2014/35/EU / Low Voltage Directive 2014/35/EU

Angewandte (harmonisierte) Normen / (Harmonised) Standards applied

EN ISO 13849-1  
EN 60335-1  
EN 62233  
EN 61000-3-2  
EN 61000-3-3  
EN 61000-6-2  
EN 61000-6-3

EN 527-1  
EN 527-2  
DIN FB 147

Bevollmächtigter für die Zusammenstellung der relevanten technischen Unterlagen:  
The person authorised to compile the relevant technical documentation:

Nowy Styl Sp. z o.o., construction department  
ul. Pużaka 49  
38-400 Krosno  
Poland

MEMBER OF THE BOARD  
CHIEF OPERATION OFFICER

  
Dariusz Rydz

Krosno, 17/04/2020

Ort, Datum  
Place, Date

Name, Vorname und Funktion des Unterzeichners  
surname, first name and function of signatory

Unterschrift  
Signature

PROKURENT

  
Piotr Kozłowski

## 13. Konserwacja i czyszczenie

Konserwacja lub naprawy powinny być wykonywane wyłącznie przez wykwalifikowany personel serwisowy.



**Ostrzeżenie: Ryzyko porażenia prądem!** Przed czyszczeniem należy zawsze odłączyć przewód zasilający. Czyścić suchą lub lekko wilgotną szmatką. Nigdy nie dopuszczaj do kontaktu płynów z elektrycznymi elementami (np. kablem, modułem sterującym, kolumnami podnoszącymi), w przeciwnym razie istnieje ryzyko wstrząsu elektrycznego!

Czyścić standardowymi środkami czyszczącymi. Upewnij się, że używasz środków czyszczących odpowiednich do określonych materiałów (drewno, plastik, metal itp.).

## 14. Utylizacja



**Uwaga:** Utylizację elementów biurka należy zawsze przeprowadzać zgodnie z lokalnymi przepisami dotyczącymi ochrony środowiska.

Właściciele starych urządzeń elektrycznych muszą je odbierać oddzielnie od niesegregowanych odpadów komunalnych.

Zwróć elektroodpady w punkcie zbiórki lub skorzystaj z usługi odbioru elektroodpadów z Twojego domu.

Oddziel stare baterie i stare akumulatory od starego urządzenia przed przekazaniem ich do punktu zbiórki. Punkty zbiórki starych urządzeń to punkty zbiórki w centrach odpadów i recyklingu, publiczne urzędy utylizacji odpadów lub punkty zwrotu dystrybutorów.

Utylizacja starych urządzeń w punktach zbiórki gmin i powiatów jest bezpłatna. Informują one prywatne gospodarstwa domowe, zwykle za pośrednictwem broszur informacyjnych, takich jak kalendarz odpadów lub za pośrednictwem Internetu, o lokalizacjach i godzinach otwarcia punktów odbioru oraz o innych możliwościach odbioru starego sprzętu.



# DE

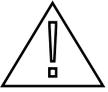
## Original bedienungsanleitung

### Contents

<b>1</b>	VERWENDETE SYMBOLE IN DEN SICHERHEITSHINWEISEN	<b>72</b>
<b>2</b>	BESTIMMUNGSGEMÄSSE VERWENDUNG	<b>72</b>
<b>3</b>	WICHTIGE SICHERHEITSHINWEISE	<b>73</b>
	<b>3.1</b> Transport des Arbeitstischsystems	<b>73</b>
	<b>3.2</b> Elektrischer Anschluss	<b>74</b>
	<b>3.3</b> Aufstellung und Betrieb des Arbeitstischsystems	<b>75</b>
	<b>3.4</b> Schiebeplattenauslösung an der Unterseite der Tischplatte (falls vorhanden)	<b>75</b>
	<b>3.5</b> Wichtige Hinweise	<b>77</b>
<b>4</b>	ERGONOMISCHE ARBEITSHALTUNG	<b>78</b>
<b>5</b>	BEDIENUNG	<b>79</b>

<b>6</b>	<b>UP/DOWN HANDSCHALTER</b>	<b>80</b>
	<b>6.1 Systeminitialisierung / Erste Inbetriebnahme</b>	<b>80</b>
	<b>6.2 Höhenverstellung</b>	<b>80</b>
	<b>6.3 Reset</b>	<b>81</b>
<b>7</b>	<b>HANDSCHALTER MIT DISPLAY UND MEMORY-FUNKTION</b>	<b>81</b>
	<b>7.1 Systeminitialisierung / Erste Inbetriebnahme</b>	<b>81</b>
	<b>7.2 Höhenverstellung</b>	<b>82</b>
	<b>7.3 Speichern einer Position (Memory-Funktion)</b>	<b>83</b>
	<b>7.4 Ändern der angezeigten Maßeinheit</b>	<b>84</b>
	<b>7.5 Anpassung der angezeigten Höhe an die tatsächliche Höhe</b>	<b>84</b>
	<b>7.6 Wiederherstellung der Werkseinstellungen</b>	<b>86</b>
	<b>7.7 Einstellen der gewünschten höchsten und niedrigsten jeweils möglichen Position</b>	<b>87</b>
	<b>7.8 Sperrfunktion</b>	<b>91</b>
<b>8</b>	<b>MÖGLICHE STÖRUNGEN UND DEREN BEHEBUNG</b>	<b>93</b>
<b>9</b>	<b>FEHLERMELDUNGEN AUF DEM DISPLAY</b>	<b>94</b>
<b>10</b>	<b>KLICK-CODES</b>	<b>96</b>
<b>11</b>	<b>TECHNISCHE DATEN</b>	<b>97</b>
<b>12</b>	<b>EG-KONFORMITÄTSERKLÄRUNG</b>	<b>98</b>
<b>13</b>	<b>WARTUNG, INSTANDSETZUNGSARBEITEN, REINIGUNG UND PFLEGE</b>	<b>100</b>
<b>14</b>	<b>ENTSORGUNG</b>	<b>100</b>

# 1. Verwendete Symbole in den Sicherheitshinweisen



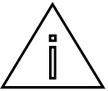
**Allgemeiner Gefahrenhinweis:** Dieses Symbol weist auf eine drohende Gefahr für das Leben und die Gesundheit von Personen hin. Das Nichtbeachten der jeweiligen Hinweise kann gesundheitliche Auswirkungen, lebens gefährliche Verletzungen und Sachbeschädigung zur Folge haben.



**Warnung: 100-240 V AC – Gefahr durch Stromschlag!** Dieses Symbol weist auf Gefahren durch elektrischen Strom hin. Das Nichtbeachten der jeweiligen Hinweise kann Tod, Verletzungen und Sachbeschädigungen zur Folge haben.



**Warnung: Quetschgefahr!** Dieses Symbol weist auf mögliche Quetschgefahr hin.

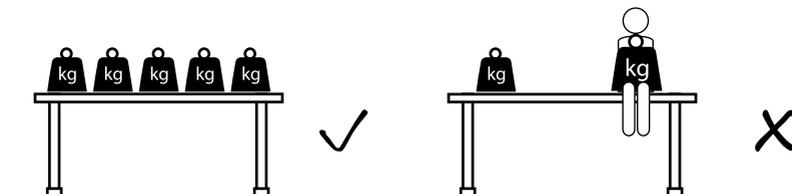


**(Wichtiger) Hinweis:** Dieses Symbol weist auf spezielle Informationen hin, die Sie zum sicheren Betrieb des eModel 2.0 – Arbeitstischsystems beachten müssen.

# 2. Bestimmungsgemäße Verwendung

Das höhenverstellbare eModel 2.0 Arbeitstischsystem wurde für die Tätigkeit im Sitzen und/ oder Stehen entworfen und ist in ortsfesten, trockenen Büroräumen möglichst in Steckdosennähe aufzustellen.

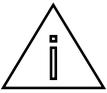
- | Betrieb nur entsprechend der technischen Daten/ des Typenschildes
- | Betrieb nur mit den entsprechend geltenden Sicherheitsabständen von min. 25 mm zu anderen Arbeitstischsystemen und anderen Gegenständen in der Umgebung als auch zu Hindernissen anderer Art über/ unter der Tischplatte, die bei der Höhenverstellung im Wege sind.
- | Betrieb nur mit gleichmäßig verteilter Last, maximales Zuladungsgewicht auf der Tischplatte gemäß den technischen Daten
- | Betrieb nur durch Personen mit einem Mindestalter von 16 Jahren, diese sind in den sicheren Gebrauch des Arbeitstischsystems einzuweisen und müssen die aus dem Betrieb des Geräts möglicherweise resultierenden Gefahren vollumfänglich erfassen



## Beispielhafte Fehlanwendungen:

- | Verwendung in Feuchträumen
- | Verwendung in Schräglage
- | Unsachgemäßer Transport, Aufbau
- | Verwendung als Hubwagensersatz oder Fahrstuhl
- | Verwendung durch Personen unter 16 Jahren
- | Verwendung durch Personen mit verringerten physischen, sensorischen oder mentalen Fähigkeiten, die es nicht gestatten, die aus dem Betrieb des Gerätes möglicherweise resultierenden Gefahren vollumfänglich zu erfassen
- | Verwendung als Sitzgelegenheit
- | Alle oben genannten sowie die hier nicht genannten, vom bestimmungsgemäßen Gebrauch abweichenden weiteren Möglichkeiten, sind ebenfalls nicht zulässig und eine Missachtung führt zum Erlöschen des Garantieanspruchs!

## 3. Wichtige Sicherheitshinweise



**Warnung:** Befolgen Sie die folgenden Anweisungen. Die Nichtbeachtung dieser Anweisungen kann zu schweren Verletzungen oder zum Tod führen.

### 3.1 Transport des Arbeitstischsystems



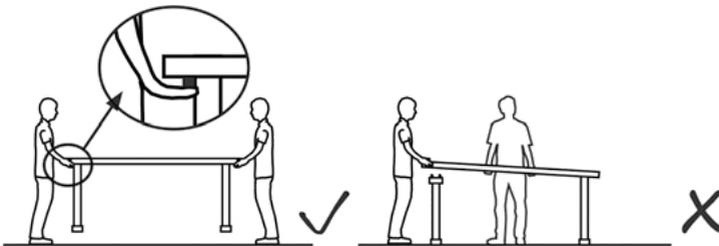
**Warnung:** Quetschgefahr oder andere Verletzungsgefahr durch Sturz beim Bewegen oder beim Transport. Unsachgemäßer Transport kann Bauteile beschädigen und zum Verlust der Gewährleistung führen.

Um dies zu verhindern, muss beachtet werden:

- | Erfüllen Sie die geltenden Arbeitsschutz-Vorschriften bzgl. richtigem Heben und Tragen.
- | Benutzen Sie Sicherheitsschuhe mit Stahlkappen sowie rutschfeste Handschuhe.
- | Das Arbeitstischsystem muss stets von mindestens 2 Personen transportiert werden.
- | Verhindern Sie das Herabfallen von Komponenten (z.B. alle Kabel).
- | Behalten Sie während des Transports stets die Umgebung aufmerksam im Blick, um Kollisionen mit anderen Personen und Gegenständen zu verhindern.

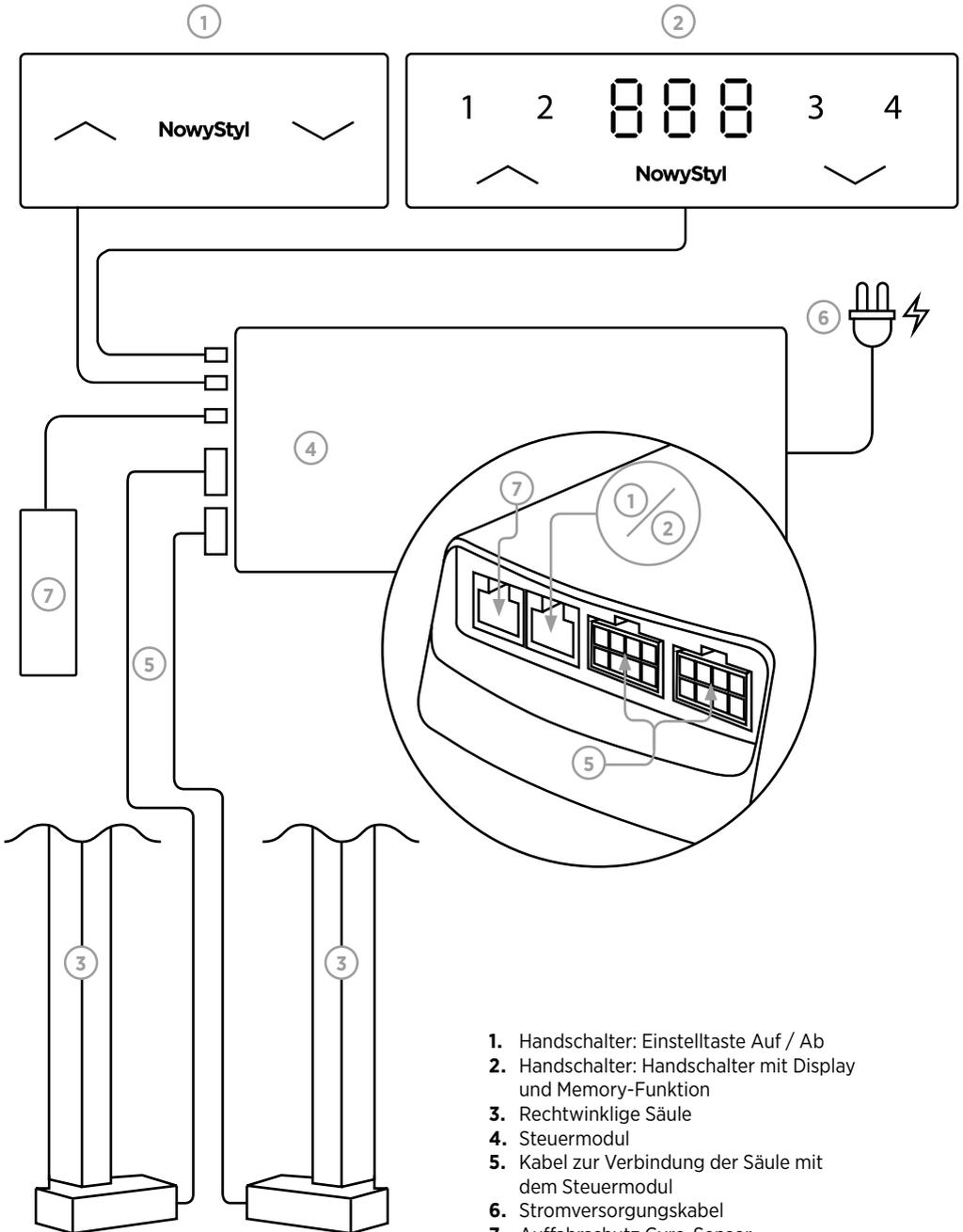
Ziehen oder schieben Sie niemals das Arbeitstischsystem und heben Sie es niemals an der Tischplatte an.

Das Arbeitstischsystem ist beim Transport immer am Traversenrahmen anzuheben und mit mindestens 2 Personen zu tragen oder auf Rollbrettern zu bewegen.



**Warnung: 230 V AC – Gefahr durch Stromschlag!** 230 V AC – Schützen Sie die elektrischen Komponenten beim Transport vor Feuchtigkeit und eventuellen Flüssigkeiten.

### 3.2 Elektrischer Anschluss



## 3.2 Elektrischer Anschluss

Die Tischelektrifizierung wurde vom Lieferanten durch eigene Werksmontage vorgenommen und geprüft. Dennoch können durch falschen Transport sowie falsche Installation und Handhabung Defekte an der Elektroinstallation auftreten.



**Warnung: 110–240 V AC – Gefahr durch Stromschlag!** Gequetschte oder durchtrennte Kabel können Kurzschluss und Kabelbrand hervorgerufen werden. Dies kann bei Personen, die mit den defekten Teilen der Elektroinstallation in Kontakt kommen, zu schweren Körperverletzungen oder Tod führen.

Um dies zu verhindern, muss beachtet werden:

- | Sobald Sie einen Defekt vermuten oder feststellen (visuell, akustisch oder durch Geruch), ziehen Sie sofort den Stecker und warnen Sie die Personen, die mit dem Gerät in Kontakt geraten könnten. Kennzeichnen Sie das defekte Gerät deutlich gegen Wiederinbetriebnahme und Informieren Sie eine für die Reparatur autorisierte Person. Diese Person muss die ihr übertragenen Arbeiten beurteilen und mögliche Gefahren erkennen können.
- | Achten Sie bei der Aufstellung elektrischer Geräte (z.B. Tele- fone, Monitore, etc.) auf ausreichend lange Anschlusskabel, die den Tischhub von 660 mm ausgleichen können.
- | Das Öffnen der Steuereinheit oder Veränderungen an der elektrotechnischen Installation sind nicht zulässig.
- | Bei einer zu lockeren Verbindungen der elektrischen Komponenten ist autorisiertes Fachpersonal zu verständigen. Verhindern Sie das Eindringen von Wasser und anderen Flüssigkeiten (z.B. Getränke, Gießwasser) in elektrische Komponenten (z. B. Steuereinheit, Hubsäulen u. a.), ggf. durch eine geräteüberspannende wasserdichte Abdeckung. .
- | Verbinden Sie das Netzanschlusskabel erst, nachdem alle anderen Kabel korrekt angeschlossen wurden. Ziehen Sie den Netzstecker, wenn weitere Änderungen am Arbeitstischsystem vorgenommen werden müssen.

## 3.3 Aufstellung und Betrieb des Arbeitstischsystems



**Warnung:** Quetschgefahr durch falsche Aufstellung!

Ist das Arbeitstischsystem nicht korrekt positioniert, kann es zu schweren Verletzungen kommen. Achten Sie auf festen Stand des Tisches. Beauftragen Sie ggf. das autorisierte Fachpersonal, um die Standfestigkeit wiederherstellen zu lassen. Stellen Sie die Bewegungsfreiheit der Hubsäulen und der Tischplatte sicher: bei Anstellung anderer Möbelteile und Gegenstände an das Arbeitstischsystem ist ringsum ein Sicherheitsabstand von 25 mm einzuhalten.

## 3.4 Schiebplattenauslösung an der Unterseite der Tischplatte (falls vorhanden)

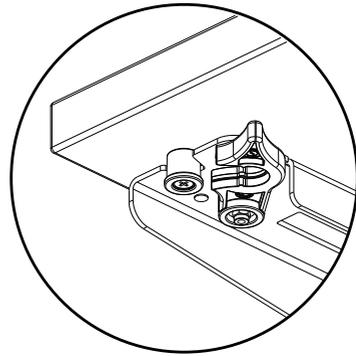
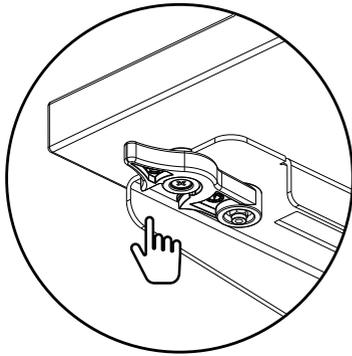


**Warnung:** Quetschgefahr durch falsche Handhabung!

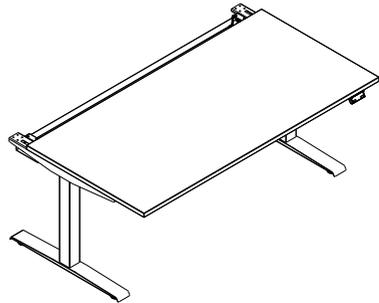
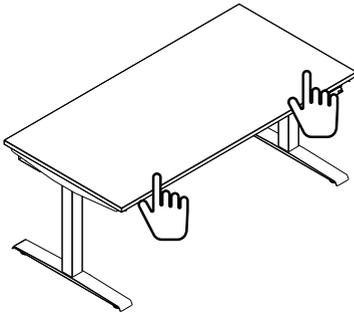
Falls bereits Geräte (z. B. Monitore) auf der Tischplatte stehen, achten Sie darauf, dass diese bei der Betätigung der Schiebplattenauslösung nicht herunterfallen. Entfernen Sie, falls möglich, diese Geräte von der Tischplatte, bis diese wieder geschlossen ist. Andernfalls kann es zu Materialschäden kommen. Treffen Sie Vorkehrungen, dass Kinder nicht mit der Schiebplattenauslösung spielen können.

### 3.4 Schiebplattenauslösung an der Unterseite der Tischplatte (falls vorhanden)

1. Lösen Sie die Schiebverriegelung an der rechten und linken Unterseite der Tischplatte.



2. Ziehen Sie die Tischplatte zu sich heran, indem Sie sie mit beiden Händen festhalten.



3. Um die Tischplatte wieder in einer Arbeitsposition zu verriegeln, schieben Sie die Platte mit beiden Händen in die entgegengesetzte Richtung.
4. Verriegeln Sie die Schiebefunktion, indem Sie die Verriegelungen rechts und links an der Unterseite der Tischplatte anziehen.

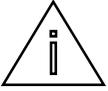


**Hinweis:** Während des Verschiebens der Tischplatte besteht Quetsch- und Einklemmgefahr.



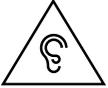
**Hinweis:** Der Verschieberegion der Tischplatte beträgt etwa 170 mm

### 3.5 Wichtige Hinweise



**Kein zertifizierter Personenschutz!** Das Arbeitstischsystem verfügt über einen Systemschutz bei Auf- und Abfahrt in Kollision. **Dieser gilt keinesfalls als Personenschutz und darf als solcher ausdrücklich nicht eingestuft und bezeichnet werden!**

Lesen Sie die Bedienungsanleitungen und verwahren Sie diese an einem sicheren Ort, der für den jeweiligen Nutzer zugänglich ist. Werfen Sie die Bedienungsanleitung nicht weg.



**Geräuschpegel:** Die Elektromotoren in den Hubsäulen erzeugen Geräusche, die unter dem vom Gesetzgeber vorgegebenen Messwerten gemäß Lärmschutzverordnung liegen. Es besteht keine Gefahr für eine Beeinträchtigung des Gehörs.



**Warnung: Gefahr herunterfallender Gegenstände sowie Umsturz und Beschädigung des Arbeitstischsystems durch Überlast!**

Sind die auf der Tischplatte aufgestellten Gegenstände nicht gleichmäßig verteilt und / oder zu schwer, besteht die Gefahr von schweren Körperverletzungen und Materialschäden! Ein erhöhter Geräuschpegel bei Überlast kann die Folge sein. Beachten Sie die Angaben im Abschnitt „Technische Daten“ und verteilen Sie die vorhandene, zulässige Last gleichmäßig auf der Tischplatte.



**Warnung: Quetschgefahr durch Nichteinhaltung von Sicherheitsabständen!**

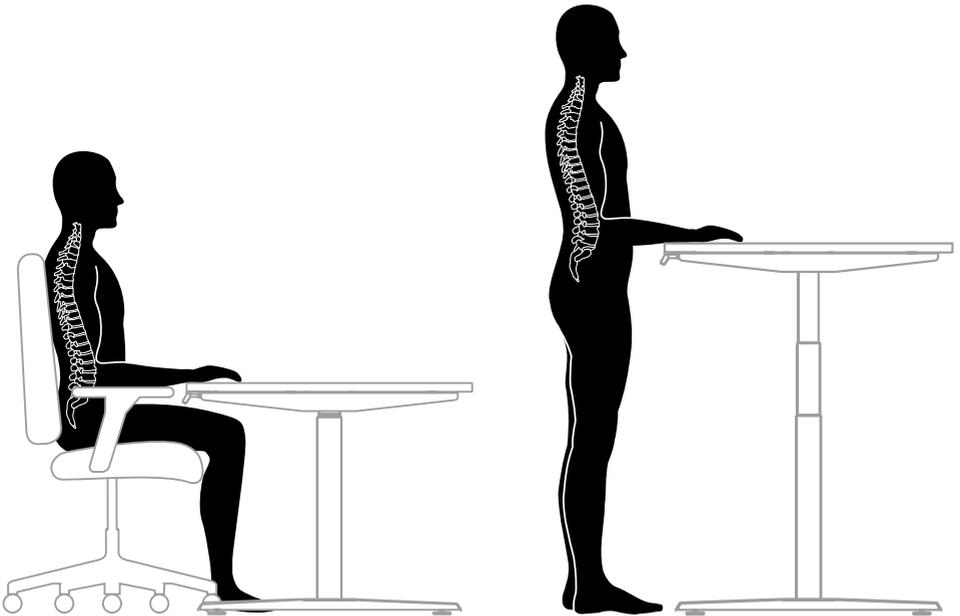
Stellen Sie die Bewegungsfreiheit der Hubsäulen und der Tischplatte sicher: bei Anstellung anderer Möbelteile an das Arbeitstischsystem ist ringsum ein Sicherheitsabstand von 25 mm einzuhalten. Achten Sie außerdem darauf, dass sich keine Personen, Gegenstände, Gebäudeteile (z. B. Dachschrägen, Fensterbänke o. ä.) oder Hindernisse anderer Art unter oder über der Tischplatte befinden, die bei der Höhenverstellung im Wege sind.



**Warnung: Stolpergefahr durch lose herumhängende Kabel!** Stellen Sie sicher, dass vor dem Arbeiten am Arbeitstischsystem alle Kabel ordnungsgemäß verlegt sind. Gegebenenfalls ist das autorisierte Fachpersonal zu beauftragen.

## 4. Ergonomische Arbeitshaltung

Es wird empfohlen, während der Arbeit regelmäßige Bewegungsübungen auszuführen und die Position zu wechseln. Stellen Sie zunächst den Stuhl auf Ihre individuellen Körpermaße ein und passen Sie die Armlehnen entsprechend an. Die Arme sollten in einem Winkel von 90 Grad positioniert werden. Sie sollten 20 Minuten Ihre Position vom Sitzen zum Stehen ändern.



## 5. Bedienung

Die sichere Bedienung des Arbeitstischsystems erfordert vom Anwender Umsicht und Verantwortungsbewusstsein. Es handelt sich hier nicht um ein Spielzeug, sondern um eine Maschine. Aus dem Betrieb dieser Maschine können sich Gefahren ergeben, die durch die Beachtung der Sicherheits- und Warnhinweise vermieden werden sollen. Lesen Sie die Sicherheitshinweise am Anfang dieser Anleitung sowie alle (Warn-) Hinweise in den verschiedenen Abschnitten sorgfältig durch und befolgen Sie diese gewissenhaft. Nur dann ist der Schutz Ihrer Sicherheit und Gesundheit sowie der anderer Personen gewährleistet.



**Warnung: Verletzungsgefahr, insbesondere für Kinder!** Achten Sie darauf, dass Kinder und andere Personen einen Sicherheitsabstand einhalten, wenn Sie die Höhe per Handschalter verstellen oder die Option Schiebepatte nutzen.



**Warnung: Kein Personenschutz!** Das Anti-Kollisionssystem ist für die Höhenverstellung des Arbeitstischsystems – Auf- und Abwärtsbewegung – vorgesehen. Es ist nicht aktiv, wenn die Bewegung beginnt. Dies ist kein Schutz für Personen oder Gegenstände, die sich auf der Tischplatte befinden. Bei Nichtbeachtung kann es zu Personen- oder Sachschäden kommen! Es liegt in der Verantwortung des Benutzers, vor der Höhenverstellung die Umgebung auf Kollisionsgefahr mit Personen oder Gegenständen in der Nähe zu überprüfen.



**Warnung: Gefahr des Einziehens durch die Hubsäulen!** Während der Höhenverstellung sind keine Gegenstände, Körperteile oder Kabel im Bereich der Hubsäulen erlaubt.

# 6. Funktionen des Handschalters: Einstelltaste Auf/Ab

## 6.1 Systeminitialisierung / Erste Inbetriebnahme

Zur Sicherstellung der korrekten Funktion des Arbeitsplatzes ist vor dem ersten Gebrauch die Initialisierung des Gestells notwendig:



| Drücken und halten Sie die „**Ab**“ Taste, bis der Arbeitsplatz seine niedrigste Position erreicht. Lassen Sie dann die Taste los.

Die gleiche Funktion findet Anwendung, wenn die Verbindungskabel zwischen Säulen und Steuermodul getrennt wurden. Wenn das Steuermodul die Initialisierung erzwingt, kann sich der Arbeitsplatz nur mit einer langsamen Geschwindigkeit „**abwärts**“ bewegen.

Ein zu frühes Loslassen der Taste kann zu Fehlfunktionen des Arbeitsplatzes führen. In diesem Fall muss das Initialisierungsverfahren wiederholt werden.



**Hinweis:** Verwenden Sie nur das vom Hersteller für den jeweiligen Produkttyp vorgesehene Steuermodul. Die Grenzen des Einstellbereichs werden werkseitig eingestellt.



**Gefahr:** Während des Initialisierungs- oder Reset-Vorgangs ist der Auffahrschutz deaktiviert. Achten Sie bei diesem Prozess immer auf die potenzielle Gefahr von Quetschungen.

## 6.2 Höhenverstellung

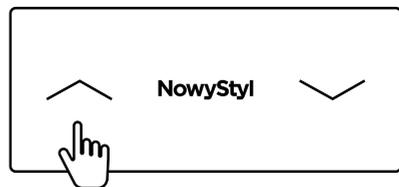
Verstellen der Tischplattenhöhe nach unten:

| „**Ab**“-Taste drücken und gedrückt halten, bis die gewünschte Höhe erreicht ist.



Verstellen der Tischplattenhöhe nach oben:

| „**Auf**“-Taste drücken und gedrückt halten, bis die gewünschte Höhe erreicht ist.

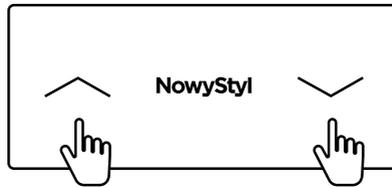


Die „**Abwärts**“ / „**Aufwärts**“-Bewegung des Schreibtisches wird fortgesetzt, bis die Taste losgelassen wird oder die niedrigste / höchste jeweils mögliche Position erreicht ist.

Bei einem unebenen Fußboden ist der Schreibtisch vor Beginn der Einstellung der Höhe mit Hilfe der nivellierbaren Gleiter auszurichten.

## 6.3 Neustart

1. Drücken und halten Sie die "Auf"- und "Ab"-Taste für am wenigsten 10 Sekunden.



2. Fahren Sie mit der Systeminitialisierung / Ersten Inbetriebnahme fort (6.1).

## 7. Funktionen des Handschalters – Option: Handschalter mit Display und Memory-Funktion

### 7.1 Systeminitialisierung / Erste Inbetriebnahme

Zur Sicherstellung der korrekten Funktion des Arbeitsplatzes ist vor dem ersten Gebrauch die Initialisierung des Gestells notwendig:



Drücken und halten Sie die **"Ab"**-Taste, bis der Arbeitsplatz seine niedrigste Position erreicht. Lassen Sie dann die Taste los.

Während der Initialisierungsprozedur wird auf dem Display folgendes Symbol angezeigt: 

Dieselbe Funktion findet auch dann Anwendung, wenn die Verbindungskabel zwischen Säulen und Steuermodul getrennt wurden oder wenn ein Höhenfehler der Grenzpositionen auftritt oder wenn die tatsächliche Höhe nicht mit der im Display angezeigten Höhe übereinstimmt. Wenn das Steuermodul die Initialisierung erzwingt, kann sich der Arbeitsplatz nur mit einer langsamen Geschwindigkeit „abwärts“ bewegen.

Ein zu frühes Loslassen der Taste kann zu Fehlfunktionen des Arbeitsplatzes führen. In diesem Fall muss das Initialisierungsverfahren wiederholt werden.

## 7.1 Systeminitialisierung / Erste Inbetriebnahme



**Hinweis:** Verwenden Sie nur das vom Hersteller für den jeweiligen Produkttyp vorgesehene Steuermodul. Die Grenzen des Einstellbereichs werden werkseitig eingestellt.



**Gefahr:** Während des Initialisierungs- oder Reset-Vorgangs ist der Auffahrschutz deaktiviert. Achten Sie bei diesem Prozess immer auf die potenzielle Gefahr von Quetschungen.

## 7.2 Höhenverstellung

Verstellen der Tischplattenhöhe nach unten:

| „**Ab**“-Taste drücken und gedrückt halten, bis die gewünschte Höhe erreicht ist.



Verstellen der Tischplattenhöhe nach oben:

| „**Auf**“-Taste drücken und gedrückt halten, bis die gewünschte Höhe erreicht ist.



Die „**Abwärts**“ / „**Aufwärts**“-Bewegung des Schreibtischs wird fortgesetzt, bis die Taste losgelassen wird oder die niedrigste / höchste jeweils mögliche Position erreicht ist.

Bei einem unebenen Fußboden ist der Schreibtisch vor Beginn der Einstellung der Höhe mit Hilfe der nivellierbaren Gleiter auszurichten.

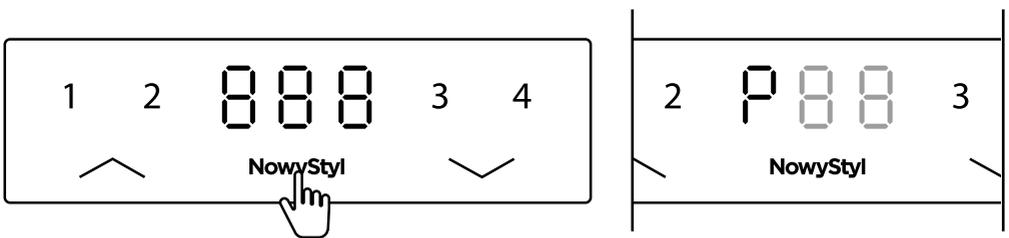
## 7.3 Speichern einer Position (Memory-Funktion)

1. Mit Hilfe der „Auf“ / „Ab“-Tasten Schreibtisch in die gewünschte Höhe bringen – die Höhe wird auf dem Display angezeigt.

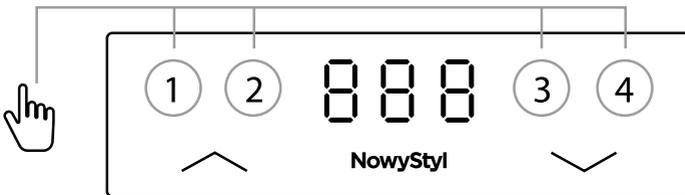


2. „Logo“-Taste (NowyStyl) drücken.

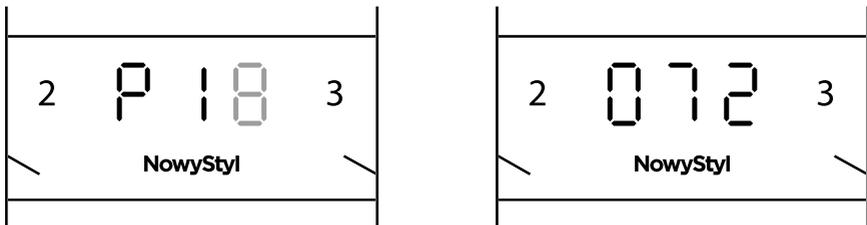
Auf dem Display erscheint das Symbol „P“.



3. Eine der nummerierten Tasten 1, 2, 3 oder 4 drücken.



Die Höheneinstellung wird unter der gewählten Ziffer gespeichert, das Display zeigt ein Symbol an, z. B. P 1. Nach etwa 2 Sekunden wird der Wert der gespeicherten Höhe angezeigt.



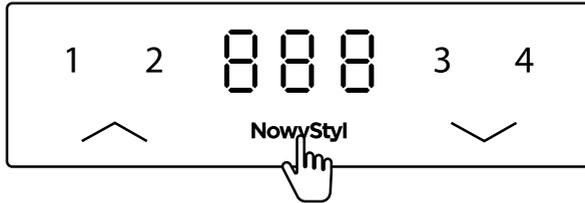
Es können bis zu 4 Höhen gespeichert werden.

Um den Arbeitsplatz auf eine gespeicherte Höhe einzustellen, halten Sie die Taste mit der Ziffer, unter der Ihre gewählte Höheneinstellung gespeichert wurde, gedrückt, bis die gespeicherte Höhe erreicht ist. Wird die Taste losgelassen, bevor die gespeicherte Höhe erreicht ist, stoppt die Tischplatte in der Höhe, bei welcher die Taste losgelassen wurde.

## 7.4 Ändern der angezeigten Maßeinheit

Die Höhe kann in Zentimetern oder Zoll angezeigt werden. Zur Änderung der Maßeinheit sind folgende Schritte auszuführen:

1. Drücken und halten Sie die „**Logo**“-Taste (**NowyStyl**) für etwa 5 Sekunden.



2. Bestätigen Sie die Option **F1** im Menü des Handschalters durch erneutes Drücken der „**Logo**“-Taste (**NowyStyl**).
3. Wählen Sie eine der Maßeinheiten aus, indem Sie die „**Auf**“ / „**Ab**“-Tasten betätigen.



Für Zoll erscheint das Symbol „I“, für Zentimeter erscheint das Symbol „C“.

4. Bestätigen Sie Ihre Wahl der Maßeinheit durch Drücken der „**Logo**“-Taste (**NowyStyl**). Um das Menü zu verlassen, ohne eine Auswahl zu treffen, warten Sie etwa 10 Sekunden, bis der Wert der Höhe wieder auf dem Display erscheint.

## 7.5 Anpassung der angezeigten Höhe an die tatsächliche Höhe

Wenn die tatsächliche Höhe nicht mit der auf dem Display des Handschalters angezeigten Höhe übereinstimmt, kann sie korrigiert werden. Zu diesem Zweck sind folgende Schritte auszuführen:

1. Drücken und halten Sie die „**Logo**“-Taste (**NowyStyl**) für etwa 5 Sekunden.



## 7.5 Anpassung der angezeigten Höhe an die tatsächliche Höhe

2. Wählen Sie mit den Tasten „Ab“ oder „Auf“ folgende Option aus dem Menü aus: **F2**.



3. Bestätigen Sie Ihre Auswahl durch erneutes Drücken der „Logo“-Taste (**NowyStyl**).



4. Messen Sie die tatsächliche Höhe und verwenden Sie dann die Taste „Auf“ oder „Ab“, um die Ziffer auf dem Display entsprechend einzustellen.



5. Bestätigen Sie den Wert durch erneutes Drücken der „Logo“-Taste (**NowyStyl**).

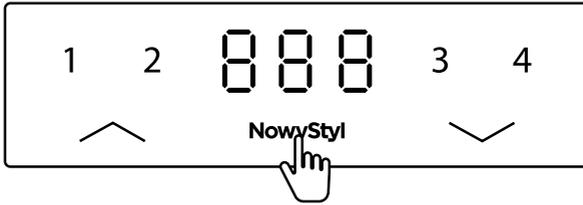


Um das Menü zu verlassen, ohne eine Auswahl zu treffen, warten Sie etwa 10 Sekunden, bis der Wert der Höhe wieder auf dem Display erscheint.

## 7.6 Wiederherstellung der Werkseinstellungen

Um die Werkseinstellungen des Arbeitsplatzes wiederherzustellen, sind folgende Schritte auszuführen:

1. Drücken und halten Sie die „**Logo**“-Taste (**NowyStyl**) für etwa 5 Sekunden.



2. Wählen Sie mit den Tasten „**Ab**“ oder „**Auf**“ folgende Option aus dem Menü aus: **F3**.



3. Bestätigen Sie Ihre Auswahl durch erneutes Drücken der „**Logo**“-Taste (**NowyStyl**).



Auf dem Display erscheint das Symbol **000**.

4. Drücken Sie erneut die „**Logo**“-Taste (**NowyStyl**).



Die Werkseinstellungen werden wiederhergestellt. Auf dem Display erscheint das Symbol **C38**. Beenden Sie den Vorgang, indem Sie die Systeminitialisierung / Erste Inbetriebnahme durchführen - (7.1).

## 7.7 Einstellung des Tisches auf eine gewünschte niedrigste oder höchste Position

Diese Funktion dient als Kollisionsschutz mit einem Container unter dem Schreibtisch oder einer Fensterbank.

### A) EINSTELLUNG DER NIEDRIGSTEN POSITION:

1. Verwenden Sie die **„Auf“**- und **„Ab“**-Taste, um eine Höhe von 960 mm oder niedriger einzustellen



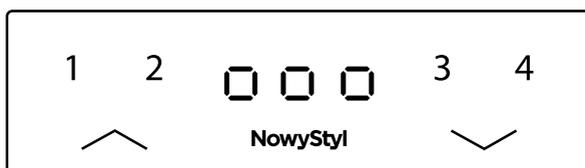
2. Halten Sie die **„Logo“**-Taste ca. 5 Sekunden lang gedrückt.



3. Wählen Sie mit den **„Auf“** und **„Ab“**-Tasten die Option F4 aus dem Menü und bestätigen Sie mit der **„Logo“**-Taste.



Auf dem Display wird ein hervorgehobener Balken angezeigt. .



## 7.7 Einstellung des Tisches auf eine gewünschte niedrigste oder höchste Position

Verwenden Sie die **“Ab”**- oder **“Auf”**-Taste, um die gewünschte TIEFSTE Position einzustellen.



Bestätigen Sie mit der **“Logo”**-Taste.



### B) EINSTELLUNG DER HÖCHSTEN POSITION:

1. Verwenden Sie die **“Auf”** und **„Ab”**-Taste, um die Höhe auf 980 mm oder höher einzustellen.



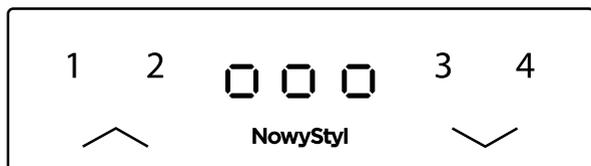
2. Drücken und halten Sie die **“Logo”**-Taste für ca. 5 Sekunden.



3. Wählen Sie mit den „Auf“ und „Ab“-Tasten die Option F4 aus dem Menü und bestätigen Sie mit der „Logo“-Taste.



Auf dem Display wird ein hervorgehobener Balken angezeigt.



Verwenden Sie die „Auf“ und „Ab“-Taste, um die gewünschte HÖCHSTE Position einzustellen.



Bestätigen Sie mit der „Logo“-Taste.



So heben Sie die Einstellungen für den niedrigsten oder höchsten Positionsstopp auf

1. Drücken und Halten Sie den Finger auf das **„Nowy Styl“** Logo für ca. 5 Sekunden.



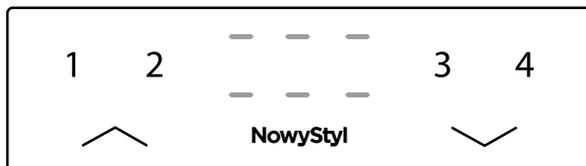
2. Wählen Sie mit den Tasten **„Ab“** oder **„Auf“** die Option F5 aus dem Menü.



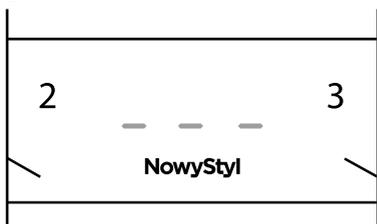
3. Bestätigen Sie die Einstellungen mit einem Druck auf das **„Nowy Styl“** Logo.



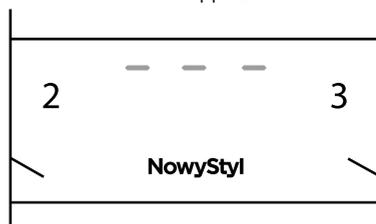
Auf dem Display erscheint ein hervorgehobener Balken.



Wählen Sie mit den Tasten **„Ab“** oder **„Auf“**, um die Begrenzung des niedrigsten Positionstopp zu löschen.



höchsten Positionstopp zu löschen.



Bestätigen Sie die Einstellungen mit einem Druck auf das **„Nowy Styl“** Logo.

## 7.8 Sperrfunktion

Um den Tisch vor unbefugter Benutzung zu schützen, kann die Tischbewegung über das Menü mithilfe eines Bedienfeldes aktiviert oder deaktiviert werden.

Befolgen Sie die folgenden Schritte, um die Sperrfunktion zu aktivieren oder zu deaktivieren:

1. Halten Sie die **“Logo”**-Taste etwa 5 Sekunden lang gedrückt.



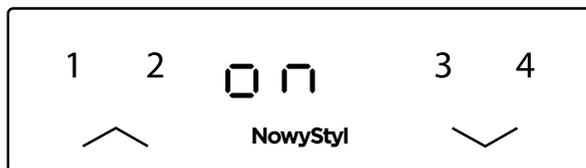
2. Wählen Sie im Menü die Option F11 mit den Tasten **“ab”** oder **“auf”** aus.



3. Bestätigen Sie die Einstellung mit der **“Logo”**-Taste.



4. Verwenden Sie die “**abwärts**” oder “**aufwärts**” Tasten, um die Option “ON” oder “OFF” auszuwählen. “ON” bedeutet regulärer Betrieb des Tisches, während “OFF” für die gesperrte Position des Tisches steht.



5. Drücken Sie die “**Logo**”-Taste, um die ausgewählte Einstellung zu bestätigen. Wenn innerhalb von 10 Sekunden keine Bestätigung mit der “**Logo**”-Taste erfolgt, wird die Auswahl verworfen.
6. Wenn die Sperrfunktion aktiviert ist und Sie die **Aufwärts-/Abwärtstaste** drücken oder eine der Speicherpositionen auswählen, wird “OFF” auf dem Display angezeigt. Um die Sperre aufzuheben, verwenden Sie das Menü F11.

## 8. Mögliche Störungen und deren Behebung

Art des Fehlers	Ursache	Problemlösung
Der Schreibtisch führt keine Bewegung aus	Abgetrenntes Stromversorgungskabel	Schließen Sie das Stromversorgungskabel an und überprüfen Sie seinen Anschluss am Steuermodul.
	Keine Verbindung oder ungenaue Verbindung von elektrischen Komponenten	Überprüfen Sie die Verbindungen der Komponenten mit dem Steuermodul.
	Keine Verbindung mit dem Handschalter	Handschalter an das Steuermodul anschließen.
	Maximale Belastung überschritten	Belastung reduzieren.
	Überschreitung der maximalen ununterbrochenen Betriebszeit der Höhenverstellung	Die Wiedereinschaltung erfolgt nach 3 Minuten. <b>Achtung!</b> Die maximale ununterbrochene Betriebszeit der Höhenverstellung beträgt 2 Minuten. Danach muss bei der Höhenverstellung eine Pause von mindestens 18 Minuten eingehalten werden
	Beschädigung des Motors	Kontaktieren Sie bitte die Kundendienstabteilung.
	Beschädigung des Steuermoduls	
Beschädigung des Antriebs		
Der Arbeitsplatz führt nur eine langsame „Abwärts“-Bewegung aus	Das Steuermodul erzwingt eine Initialisierung oder einen Reset	Prozess der Systeminitialisierung / der Ersten Inbetriebnahme gemäß der Bedienungsanleitung ausführen
Der Arbeitsplatz führt nur sehr langsame Bewegungen aus	Maximale Belastung überschritten	Reduzieren Sie die Belastung der Tischplatte.
Der Arbeitsplatz führt eine kurze Bewegung in einer Richtung aus	Keine Verbindung oder ungenaue Verbindung von elektrischen Komponenten	Überprüfen Sie die Verbindungen der Komponenten mit dem Steuermodul.
	Beschädigter Antrieb	Kontaktieren Sie bitte die Kundendienstabteilung.

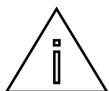
## 9. Fehlermeldungen auf dem Display

An-gezeigtes Symbol	Beschreibung	Problemlösung	Anzeige nach Fehlerbehebung
C 01	Kurzschluss Motor 1	Netzstecker ziehen! Den externen Kurzschluss beheben, die Kabel zu den Motoren auf Beschädigungen kontrollieren. Gegebenenfalls an der betroffenen Buchse den Motor austauschen. Die Steuerung wieder in Betrieb nehmen.	001-999 Normale Höhenanzeige
C 02	Kurzschluss Motor 2		
C 03	Kurzschluss Motor 3		
C 05	Relaiskontakt klebt	Steuerung austauschen.	
C 11	Kabel Motor 1 abgezogen	Kabel bzw. Steckverbindung zu den Motoren überprüfen	C 38 eine Initialisierungsfahrt ist erforderlich
C 12	Kabel Motor 2 abgezogen		
C 13	Kabel Motor 3 abgezogen		
C 15	Motor 1 keine Pulse messbar	Kabel zu den Motoren auf Beschädigungen und sicheren Kontakt prüfen. Gegebenenfalls an der betroffenen Buchse den Motor austauschen. Die Steuerung wieder in Betrieb nehmen.	
C 16	Motor 2 keine Pulse messbar		
C 17	Motor 3 keine Pulse messbar		
C 18	Motoren haben die Synchronisation verloren	Max. Last überschritten. Die Last vom Tisch entfernen.	
C 34	Überstrom an Motor 1	Max. Last überschritten. Die Last vom Tisch entfernen.	001-999 Normale Höhenanzeige
C 35	Überstrom an Motor 2		
C 36	Überstrom an Motor 3		
C 37	Motor Summenstrom zu hoch		
C 38	Motoren haben die Synchronisation verloren Eine Initialisierungsfahrt ist erforderlich	Prüfen, ob das STAND.CONNECT Verbindungskabel zwischen den Steuerungen richtig gesteckt ist und in beiden Steuerungen ein Netzkabel steckt.	
C 39	Kaskadierungsfehler - eine Steuerung kommuniziert nicht	Sprawdź czy kable są prawidłowo podpięte do sterownika oraz sieci.	001-999 Normale Höhenanzeige
		Stellen Sie durch das F3 Menü die Werkseinstellung wieder her, um eine Umkonfigurierung zu realisieren.	C 38 eine Initialisierungsfahrt ist erforderlich

## 9. Fehlermeldungen auf dem Display

An-gezeigtes Symbol	Beschreibung	Problemlösung	Anzeige nach Fehlerbehebung
[ 4 0	Sensor-Modul Fehler	Weitere Fahrten werden ohne Kollisionsschutz durchgeführt. Fahren bleibt möglich. Sensormodul überprüfen.	001-999 Normale Höhenanzeige nach dem Anfahren in eine Richtung
[ 4 1	Interner Sensor defekt	Steuerung tauschen.	-
[ 5 1	Widersprüchliche Fahrbefehle	Bedienung an allen verfügbaren Handschaltern o.ä. stoppen.	001-999
[ 5 2	Eine Taste klemmt am Handschalter	Handschalter austauschen.	Normale Höhenanzeige nach dem Anfahren in eine Richtung
[ 5 3			
[ 8 1	Spannung zu klein	Kann nach dem Trennen des Netzkabels auftreten.	001-999 Normale Höhenanzeige nach Power-On
		Netzteil defekt, Steuerung tauschen	[ 3 8 eine Initialisierungsfahrt ist erforderlich
[ 8 2	Spannung zu hoch	Netzteil defekt, Steuerung tauschen	[ 3 8 eine Initialisierungsfahrt ist erforderlich
[ 8 4	keine Säulen beim Einschalten der Steuerung ange-schlossen	Schließen Sie zuerst die gewünschte Anzahl Säulen und Handschalter an und stellen durch das F3 Menü die Werkseinstellung wieder her	[ 3 8 eine Initialisierungsfahrt ist erforderlich
[ 8 5	Anzahl der Säulen stimmt nicht mit der derzeitigen Konfiguration überein	Überprüfen Sie die Motorkabel oder stellen durch das F3 die Werkseinstellung wieder her.	[ 3 8 eine Initialisierungsfahrt ist erforderlich
r EF	Initialisierungsfahrt wird durchgeführt.	Die Initialisierungsfahrt bis zur untersten Blockposition durchführen.	
SP	Systemschutz / System-pause Die Einschalt-dauer des Systems wurde über-schritten	Warten, bis die Steuerung abge-kühlt ist und die Anzeige SP er-lischt. Dann ist die Fahrdauer von 17s freigegeben. Erst nach 18min fährt der Tisch wieder volle 2min. <b>ACHTUNG:</b> Wird die Netzspan-nung ausgeschaltet, wenn noch nicht die vollen 2min Fahrzeit zur Verfügung stehen und früher als 20min danach wieder eingeschal-tet, stehen nur ca. 20s Fahrzeit zur Verfügung und die Einschalt-dauer-berechnung wird neu gestartet..	001-999 Normale Höhen-anzeige
[ 0 L	Kollision erkannt ohne Unterscheidung	Hindernis entfernen.	
5 C C CON.STAND „C30“ for M1 „C31“ for M2 „C32“ for M3	Hallsignal Kollision erkannt		

An-gezeigtes Symbol	Beschreibung	Problemlösung	Anzeige nach Fehlerbehebung
SEn CON.STAND „C27“	Sensor kalibriert	Hindernis entfernen.	001-999 Normale Höhenan-zeige
CAL	Sensor kalibriert	Tisch in Ruhe lassen	
PAR	Parameterfehler	Stellen Sie durch das F3 Menü die Werkseinstellung wieder her.Sollte der Fehler dadurch nicht be-hoben wird, muss die Steuerung getauscht werden oder via CON.STAND ein gültiger Parame-tersatz geladen werden.	C38 eine Ini-tialisie-rungsfahrt ist erforder-lich
001- 999	Tisch fährt, Höhenanzeige	-	-



**Hinweis:** Wenn es während der Höhenverstellung zu einem Stromausfall kommt oder wenn das Netzkabel abgetrennt wird, kann ein Reset erforderlich sein.

Wenn der Fehler nicht auf die oben beschriebene Weise behoben werden kann, dann trennen Sie die Stromversorgung, warten Sie einige Minuten und versuchen Sie, erneut eine Systeminitialisierung / Erste Inbetriebnahme durchzuführen.

Wenn der Fehler weiterhin auftritt, trennen Sie die Stromversorgung und wenden Sie sich an den Kundendienst.

## 10. Klick-Codes

Sobald das Steuermodul mit Spannung versorgt wird, informiert der Controller über ein integriertes Relais akustisch über den Systemstatus und den Grund der letzten Abschaltung.

Klick = Relais betätigt, Klack = Relais fällt ab

Anzahl an Klick-Klacks	Wann	Status-Information
1x	Das Gerät ist eingeschaltet	Normaler Betrieb: Das System arbeitet ohne Probleme
1x	“Auf“-Taste gedrückt	Reset: Initialisierungsvorgang erforderlich
7x	Während der Fahrt geht die Verbindung zu einem Antrieb verloren	Fehler: Tisch kann nicht mehr bewegt werden
2x	Einstellen eines Stopps für Container oder Regal	Bestätigung der erfolgreich gespeicherten Endposition. (nur mit dem Up&Down-Handscharter ohne Anzeige)
4x	Löschen eines Stopps für Container oder Regal	Bestätigung der erfolgreich gelöschten Endposition. (nur mit dem Up&Down-Handscharter ohne Anzeige)
7x	Der Tisch bewegt sich un-gleichmäßig	Fehler: die Antriebe haben nicht die gleiche Höhe, Initialisierungsvor-gang erforderlich

# 11. Technische Daten

## eModel 2.0

Eingang	100–240 V / 50–60 Hz
Stormverbrauch	2,5 A
Ausgang	250 W
Standby-Leistung, primär (typisch)	0,3 W
Umgebungsbedingungen bei Betrieb	Temperatur: +5 °C bis +40 °C Luftfeuchtigkeit: 10 % bis 85 %
Umgebungsbedingungen bei Transport und Lagerung	Temperatur: -25°C bis +70°C Luftfeuchtigkeit: 5% bis 90% Temperatur zwischen +55°C und +70°C maximal für 24 Stunden
Maximale Flächenbelastung	100 kg, 20 kg je Tischplatte / eine Hubsäule
Maximale Dauerbetriebszeit	2 Minuten Ein / 18 Minuten Aus
Hubbereich	640–1300 mm (max. Hub: 660 mm , mit einem Säulengestell 460 mm)
Geräuscentwicklung	45 < dB(A)
Hubgeschwindigkeit	38 mm / s
Auffahrtsschutz	Externer Gyro-Sensor

# 12. EG -Konformitätserklärung

## Original EU-Konformitätserklärung Original EU Declaration of Conformity

im Sinne der EG-Richtlinie 2006/42/EG über Maschinen (Anhang II A)  
according to EC directive 2006/42/EC on machinery (Annex II A)

Name und Anschrift des Herstellers / Name and address of the manufacturer:

Nowy Styl Sp. z o.o.  
ul. Puzaka 49  
38-400 Krosno  
Poland

Diese Erklärung bezieht sich nur auf die Maschine in dem Zustand, in dem sie in Verkehr gebracht wurde; vom Endnutzer nachträglich angebrachte Teile und/oder nachträglich vorgenommene Eingriffe bleiben unberücksichtigt. Die Erklärung verliert ihre Gültigkeit, wenn das Produkt ohne Zustimmung wesentlich verändert wird.

*This declaration relates exclusively to the machinery in the state in which it was placed on the market, and excludes components which are added and/or operations carried out subsequently by the final user. The declaration is no more valid, if the product is modified without agreement.*

Hiermit erklären wir in alleiniger Verantwortung als Hersteller, dass die Maschine  
Herewith we declare in our sole responsibility as manufacturer, that the machinery

<b>Elektrisch höhenverstellbarer Bürotisch / Office table desk with electrical height adjustment</b>	
Produktgruppe / Product group:	Desk
Name / product name:	eModel 2.0
Modell / model:	T-leg base
Version / version:	with electric height adjustment

allen einschlägigen Harmonisierungsrechtsvorschriften der Union entspricht/  
is in conformity with the relevant Union harmonisation legislation:

Maschinenrichtlinie 2006/42/EG / Machinery Directive 2006/42/EC  
EMV-Richtlinie 2014/30/EU / EMC Directive 2014/30/EU  
EG-Niederspannungsrichtlinie 2014/35/EU / Low Voltage Directive 2014/35/EU

Angewandte (harmonisierte) Normen / (Harmonised) Standards applied

EN ISO 13849-1  
EN 60335-1  
EN 62233  
EN 61000-3-2  
EN 61000-3-3  
EN 61000-6-2  
EN 61000-6-3

EN 527-1  
EN 527-2  
DIN FB 147

Bevollmächtigter für die Zusammenstellung der relevanten technischen Unterlagen:  
The person authorised to compile the relevant technical documentation:

Nowy Styl Sp. z o.o., construction department  
ul. Puzaka 49  
38-400 Krosno  
Poland

MEMBER OF THE BOARD  
CHIEF OPERATION OFFICER

  
Dariusz Przych

Krosno, 17/04/2020

Ort, Datum  
Place, Date

Name, Vorname und Funktion des Unterzeichners  
surname, first name and function of signatory

Unterschrift  
Signature

PROKURANT

  
Piotr Kozłowski

# 12. EG -Konformitätserklärung

## Original EU-Konformitätserklärung Original EU Declaration of Conformity

im Sinne der EG-Richtlinie 2006/42/EG über Maschinen (Anhang II A)  
according to EC directive 2006/42/EC on machinery (Annex II A)

Name und Anschrift des Herstellers / Name and address of the manufacturer:

Nowy Styl Sp. z o.o.  
ul. Pużaka 49  
38-400 Krosno  
Poland

Diese Erklärung bezieht sich nur auf die Maschine in dem Zustand, in dem sie in Verkehr gebracht wurde; vom Endnutzer nachträglich angebrachte Teile und/oder nachträglich vorgenommene Eingriffe bleiben unberücksichtigt. Die Erklärung verliert ihre Gültigkeit, wenn das Produkt ohne Zustimmung wesentlich verändert wird.

*This declaration relates exclusively to the machinery in the state in which it was placed on the market, and excludes components which are added and/or operations carried out subsequently by the final user. The declaration is no more valid, if the product is modified without agreement*

Hiermit erklären wir in alleiniger Verantwortung als Hersteller, dass die Maschine  
Herewith we declare in our sole responsibility as manufacturer, that the machinery

<b>Elektrisch höhenverstellbarer Bürotisch / Office table desk with electrical height adjustment</b>
Produktgruppe / Product group: Workbench
Name / product name: eModel 2.0
Modell / model: H base
Version / version: with electric height adjustment

allen einschlägigen Harmonisierungsrechtsvorschriften der Union entspricht  
is in conformity with the relevant Union harmonisation legislation:

Maschinenrichtlinie 2006/42/EG / Machinery Directive 2006/42/EC  
EMV-Richtlinie 2014/30/EU / EMC Directive 2014/30/EU  
EG-Niederspannungsrichtlinie 2014/35/EU / Low Voltage Directive 2014/35/EU

Angewandte (harmonisierte) Normen / (Harmonised) Standards applied

EN ISO 13849-1  
EN 60335-1  
EN 62233  
EN 61000-3-2  
EN 61000-3-3  
EN 61000-6-2  
EN 61000-6-3

EN 527-1  
EN 527-2  
DIN FB 147

Bevollmächtigter für die Zusammenstellung der relevanten technischen Unterlagen:  
The person authorised to compile the relevant technical documentation:

Nowy Styl Sp. z o.o., construction department  
ul. Pużaka 49  
38-400 Krosno  
Poland

MEMBER OF THE BOARD  
CHIEF OPERATION OFFICER

Dariusz Frydrych

Krosno, 17/04/2020

Ort, Datum  
Place, Date

Name, Vorname und Funktion des Unterzeichners  
surname, first name and function of signatory

Unterschrift  
Signature

PROKURENT

Piotr Kozłowski

## 13. Wartung, Instandsetzungsarbeiten, Reinigung und Pflege

Wartungs- und Instandsetzungsarbeiten dürfen ausschließlich von autorisierten Fachpersonal durchgeführt werden.



**Warnung: Gefahr eines Stromschlags!** Ziehen Sie vor der Reinigung immer den Netzstecker. Reinigen Sie mit einem trockenen oder leicht feuchten Tuch. Lassen Sie niemals Flüssigkeiten in Kontakt mit elektrischen Komponenten (z. B. Kabel, Steuermodul, Hubsäulen) kommen, sonst besteht die Gefahr eines Stromschlags!

Reinigen Sie mit handelsüblichen Reinigungsmitteln. Achten Sie darauf, dass Sie nur Reinigungsmittel verwenden, die für das jeweilige Material (Holz, Kunststoff, Metall usw.) geeignet sind.

## 14. Entsorgung

Elektro- oder Elektronikgeräte sind gemäß WEEE-Richtlinie 2012/19/EU getrennt vom Hausmüll zu entsorgen. Dieser Produkttyp ist mit dem unten abgebildeten Symbol gekennzeichnet. Bevor Sie Materialien oder Komponenten entsorgen, prüfen Sie, ob diese recycelt werden können. Recyceln Sie so viele Teile wie möglich



**Hinweis:** Die Entsorgung von Komponenten des Arbeitstischsystems sollte immer in Übereinstimmung mit den örtlichen Umweltvorschriften erfolgen.

Die Entsorgung von Altgeräten wird durch das Elektro- und Elektronikgerätegesetz "ElektroG" vom 20. Oktober 2015 geregelt. Demnach müssen Besitzer von Elektroaltgeräten diese getrennt vom unsortierten Hausmüll sammeln.

Trennen Sie Altbatterien und Akkus vom Altgerät, bevor Sie diese an der Sammelstelle abgeben. Sammelstellen für Altgeräte sind die Sammelstellen an den Abfall- und Wertstoffhöfen der öffentlich-rechtlichen Entsorgungsträger oder die Rückgabestellen der Verreiber. Öffentlich-rechtliche Entsorgungsträger sind die Gemeinden und Landkreise. Die Entsorgung der Altgeräte bei den Sammelstellen der Kommunen und Landkreise ist kostenlos. Diese informieren die privaten Haushalte in der Regel über Informationsbroschüren wie z.B. einen Abfallkalender oder über das Internet über die Standorte und Öffnungszeiten der Sammelstellen sowie über weitere Möglichkeiten der Altgerätesammlung.

Elektroaltgeräte können bei den zur Rücknahme verpflichteten Verreibern (Elektrogerätehändler und Verkaufsstellen mit einer Verkaufsfläche für Elektrogeräte von mehr als 400 m<sup>2</sup>) abgegeben werden.

1. Diese nehmen alte Elektrogeräte mit Abmessungen von weniger als 25 cm kostenlos zurück, auch wenn kein neues Gerät gekauft wird.
2. Geben Sie alte Elektrogeräte mit Abmessungen von mehr als 25 cm zurück, wenn ein neues Gerät mit den gleichen Funktionen wie das alte Gerät kaufen.



# FR

## Notice d'utilisation original

### Table de matières

<b>1</b>	EXPLICATION DES SYMBOLES	<b>104</b>
<b>2</b>	USAGE CONFORME	<b>104</b>
<b>3</b>	INDICATIONS IMPORTANTES DE SECURITE	<b>105</b>
	<b>3.1</b> Transport	<b>105</b>
	<b>3.2</b> Connexion de composants électriques	<b>106</b>
	<b>3.3</b> Lors de l'installation et l'utilisation	<b>107</b>
	<b>3.4</b> Déblocage du plan coulissant (pour des postes à plateau coulissant)	<b>107</b>
	<b>3.5</b> Autres indications de sécurité	<b>109</b>
<b>4</b>	ERGONOMIE DU POSTE DE TRAVAIL	<b>110</b>
<b>5</b>	MANIPULATION	<b>111</b>

## **6** PANNEAU DE COMMANDE : BOUTON DE REGLAGE HAUT/BAS **112**

**6.1** Initialisation du système/Première mise en marche **112**

**6.2** Réglage de la hauteur **112**

**6.3** Réinitialisation **113**

## **7** PANNEAU DE COMMANDE : AVEC AFFICHAGE ET FONCTION DE MEMOIRE **113**

**7.1** Initialisation du système/Première mise en marche **113**

**7.2** Réglage de la hauteur **114**

**7.3** Mémoriser la hauteur sélectionnée **115**

**7.4** Modifier l'unité de mesure affichée **116**

**7.5** Ajuster la hauteur affichée à la hauteur réelle **117**

**7.6** Restaurer les paramètres par défaut **118**

**7.7** Programmer l'arrêt du plan de travail dans la position  
la plus basse ou la plus haute souhaitée **119**

**7.8** Fonction de verrouillage **123**

## **8** DISFONCTIONNEMENTS ET SOLUTIONS POSSIBLES **125**

## **9** INFORMATION CONCERNANT LES ERREURS AFFICHES **126**

## **10** CODAGE DE CLICS **128**

## **11** PARAMETRES TECHNIQUES **129**

## **12** DECLARATION DE CONFORMITE **130**

## **13** ENTRETIEN, REPARATIONS, NETTOYAGE ET SOINS **132**

## **14** MISE AU REBUT **132**

# 1. Explication des symboles



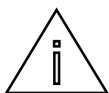
**Avertissement général :** Danger : Menace immédiate pour la vie et la santé ! Le non-respect de ces avertissements peut mettre votre vie en danger ou entraîner des blessures mortelles et des dommages matériels.



**Attention : 100–240 V AC – Risque de choc électrique !** Risque potentiel d'électrocution. Le non-respect de ces avertissements peut mettre votre vie en danger ou entraîner des blessures mortelles et des dommages matériels.



**Danger : risque d'écrasement !** Se conformer aux consignes de sécurité concernant l'utilisation de eModel 2.0.

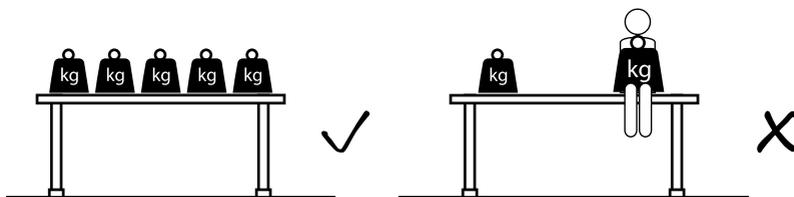


**Remarque :** Se conformer aux consignes de sécurité concernant l'utilisation de eModel 2.0.

# 2. Usage conforme

eModel 2.0 est équipé d'un système de réglage de la hauteur à moteur électrique. Il est conçu pour le travail assis ou debout, uniquement dans des espaces secs et fermés, ayant accès à une source d'alimentation.

- | utiliser uniquement en conformité avec les paramètres techniques / la plaque signalétique
- | n'utiliser que si une distance de sécurité de 25 mm minimum peut être respectée : entre le plateau du bureau et les autres équipements du poste de travail, ainsi que les objets situés au-dessus / en dessous du bureau, quelle que soit leur hauteur,
- | à n'utiliser qu'en cas de charge uniformément répartie, en respectant le poids maximum sur le plateau selon les paramètres techniques,
- | à utiliser par des personnes âgées de plus de 16 ans, instruites sur l'utilisation de l'appareil en toute sécurité et comprenant le risque encouru.



Charge uniformément répartie

## Exemples d'un usage non-conforme :

- | utilisation dans les pièces humides,
- | utilisation dans une position inclinée,
- | transport, installation non conformes,
- | utilisation comme substitut d'ascenseur,
- | par des personnes de moins de 16 ans,
- | par des personnes aux capacités physiques ou mentales réduites qui ne comprennent pas le risque encouru, en guise de siège
- | Ce qui précède, ainsi que toute autre utilisation abusive non décrite ci-dessus, entraînera la perte de la garantie!

## 3. Indications importantes de sécurité



**Danger :** Veuillez suivre les consignes ci-dessous. Le non-respect de ces instructions peut entraîner des blessures graves ou mortelles.

### 3.1 Transport



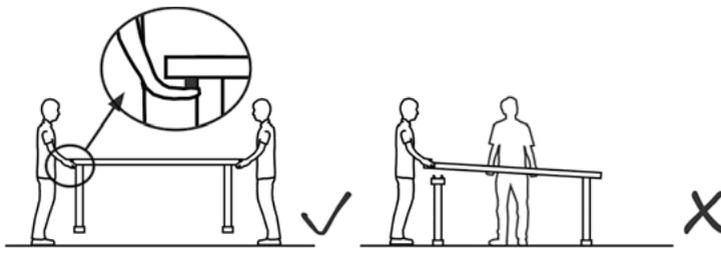
**Danger :** risque d'écrasement ou d'autres blessures suite à une chute pendant le déplacement ou le transport. Un transport inapproprié peut endommager les composants et entraîner une perte de garantie.

Afin de prévenir :

- | respecter les règles de santé et de sécurité concernant la manipulation des charges lourdes,
- | utiliser des chaussures de sécurité et des gants antidérapants,
- | 2 personnes au minimum sont nécessaires pour le transport,
- | sécuriser les composants pour éviter qu'ils ne tombent (par exemple, tous les câbles),
- | faire attention à l'entourage pendant le transport pour éviter les collisions avec d'autres personnes et objets.

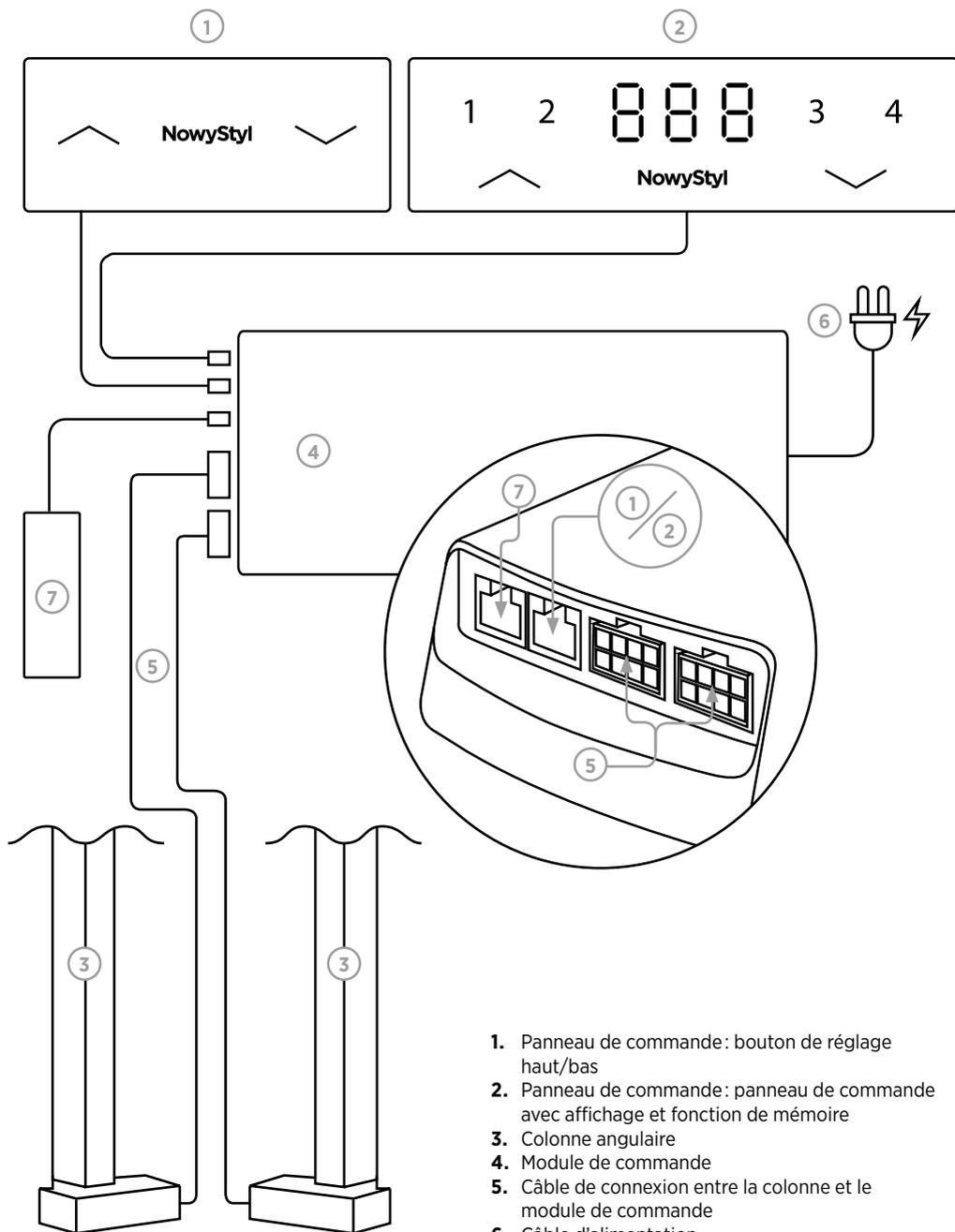
Il est interdit de faire glisser le poste sur le sol ou de le soulever en tenant par le plateau.

Il est recommandé de le déplacer à deux, en tenant le poste par le cadre métallique, ou de le transporter sur des chariots.



**Attention : 230 V AC - Risque de choc électrique!** 230 V AC: Protéger les éléments électriques contre l'humidité et contre tout liquide pendant le transport.

### 3.2 Connexion de composants électriques



1. Panneau de commande: bouton de réglage haut/bas
2. Panneau de commande: panneau de commande avec affichage et fonction de mémoire
3. Colonne angulaire
4. Module de commande
5. Câble de connexion entre la colonne et le module de commande
6. Câble d'alimentation
7. Capteur gyroscopique du dispositif anticollision

### 3.2 Connexion de composants électriques

Les composants électriques ont été préassemblés et vérifiés par le fournisseur lors du montage en usine. Toutefois, des défauts du système électrique peuvent survenir à la suite d'un transport incorrect ou d'une installation ou utilisation inappropriées.



**Attention: 100–240 V AC – Risque de choc électrique !** L'humidité, les câbles écrasés ou coupés peuvent provoquer des courts-circuits ou un incendie. Le contact avec des composants électriques défectueux peut entraîner des blessures graves ou mortelles.

Afin de prévenir :

- | en cas de bruits ou odeurs suspects, débrancher immédiatement l'alimentation. Prévenir les autres utilisateurs de la menace, marquer l'appareil défectueux et signaler la nécessité de le réparer au personnel compétent ;
- | lors de l'installation d'appareils électriques (téléphones, moniteurs, etc.), la longueur des câbles de connexion doit compenser les mouvements du plateau sur une amplitude de 660 mm ;
- | l'ouverture ou toute modification des éléments électriques est interdite ;
- | en cas de jeu sur la connexion des composants électriques, avertir le personnel compétent ;
- | ne pas laisser de l'eau ou d'autres liquides (par exemple des boissons, du parfum) entrer en contact avec les appareils électriques (par exemple l'unité de commande, les colonnes de levage) ;
- | avant toute modification du poste, débrancher l'alimentation électrique. Avant de brancher l'alimentation, il faut d'abord connecter correctement tous les autres câbles.

### 3.3 Lors de l'installation et l'utilisation



**Danger :** risque d'écrasement dû à une installation incorrecte !

Une mise à niveau incorrecte peut provoquer des dommages ou des blessures graves. Prévenez le personnel compétent pour rétablir la stabilité. Lors de la mise en place d'autres éléments de mobilier et d'objets, veillez à ce que les colonnes de levage et le plateau puissent se déplacer librement. Une distance de sécurité de 25 mm autour du poste est obligatoire.

### 3.4 Déblocage du plan coulissant (pour des postes à plateau coulissant)

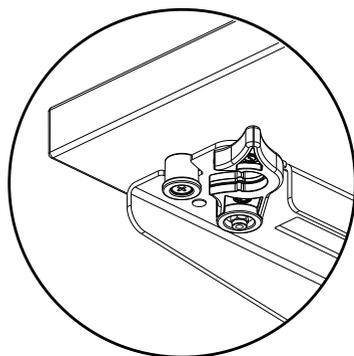
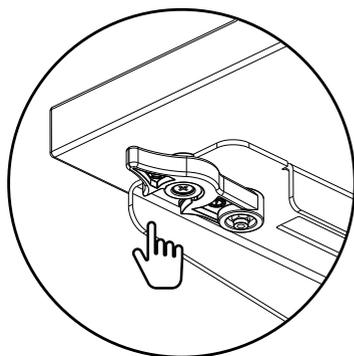


**Attention :** risque d'écrasement dû à une installation incorrecte !

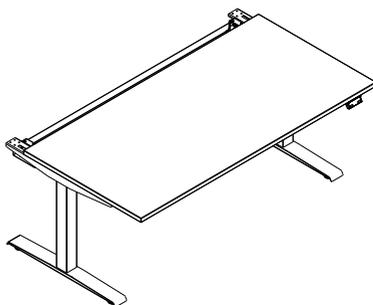
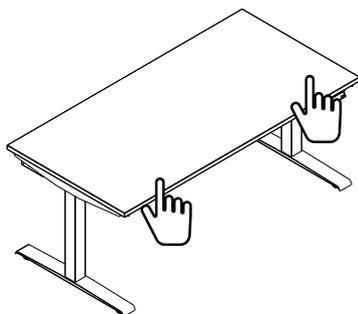
Avant d'utiliser la fonction de plan coulissant, retirez les appareils du plateau (les écrans, etc.) car ils pourraient tomber et causer des dommages ou des blessures. Les enfants ne peuvent pas jouer avec le mécanisme du plan coulissant.

### 3.4 Débloquage du plan coulissant (pour des postes à plateau coulissant)

1. Déverrouiller le blocage du plan coulissant se trouvant à droite et à gauche en dessous du plateau.



2. Tirer le plateau en le saisissant à deux mains.



3. Afin de bloquer à nouveau le plan en position de travail, pousser le plateau dans le sens opposé en le saisissant à deux mains.
4. Bloquer le coulissement en verrouillant les blocages se trouvant à droite et à gauche en dessous du plateau.



**Remarque :** Pendant le coulissement du plateau il existe un risque d'écrasement, de broyage.



**Remarque :** la course de réglage du plateau est d'environ 170 mm.

### 3.5 Autres indications de sécurité



**Absence de protection certifiée!** Le poste de travail est équipé d'un système de protection anti-collision lors de la montée et la descente. Cependant, ce système n'est pas considéré comme une protection personnelle.

Lisez la notice et conservez-la à un endroit sécurisé, accessible pour l'utilisateur. Il ne faut pas la jeter !



**Niveau de bruit:** Les moteurs électriques des colonnes de levage génèrent un bruit inférieur aux valeurs mesurées déterminées par la loi. Il n'y a pas de risque d'altération de l'audition.



**Attention : Suite à une surcharge, le poste de travail peut se renverser et des objets risquent de tomber du plateau !**

**Attention :** Risque de chute des objets du plateau et de poste de travail renversé suite à une surcharge ! Des objets inégalement répartis ou trop lourds peuvent entraîner des blessures et des dommages matériels ! La surcharge peut également entraîner une augmentation du niveau sonore. Veuillez vous reporter aux informations figurant dans les « Paramètres techniques » et répartir uniformément la charge sur le plateau. Ne jamais dépasser la charge maximale.



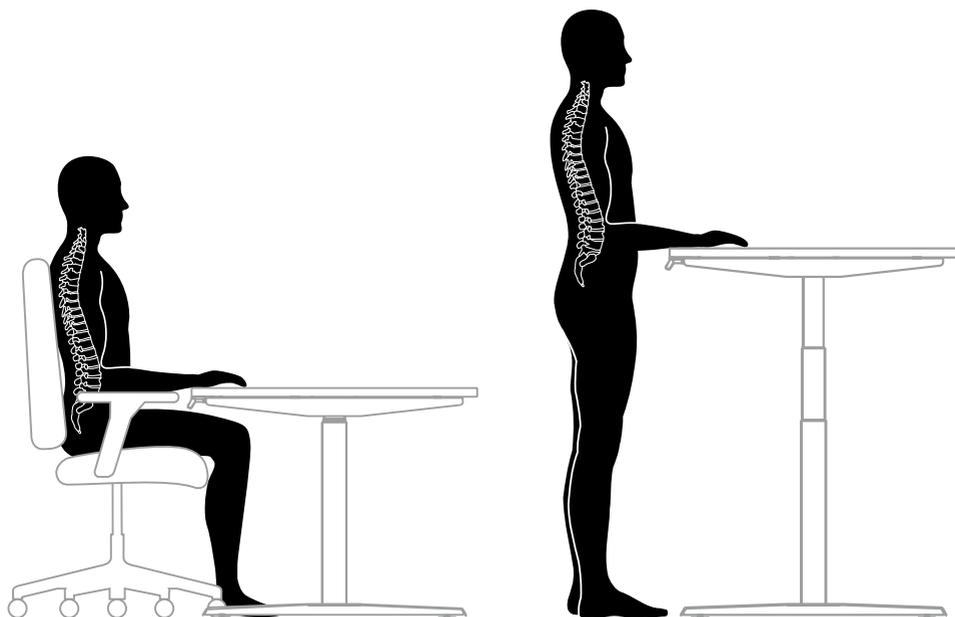
**Danger : risque d'écrasement dû au manque de distance de sécurité !** Assurez la liberté de mouvement des colonnes de levage et du plateau en éloignant les autres meubles à une distance de sécurité de 25 mm. Veillez à ce qu'aucune personne, aucun objet, aucune partie de bâtiment (par ex. plafonds, portes ou fenêtres) ou tout autre type d'obstacle situé au-dessous ou au-dessus du plateau ne vienne gêner le réglage de la hauteur.



**Attention : Risque de trébucher sur des câbles mal fixés !** Assurez-vous que tous les câbles sont correctement placés. Si nécessaire, contactez le personnel compétent pour repositionner les câbles.

## 4. Ergonomie du poste de travail

Il est recommandé de faire des exercices et de changer de position pendant le travail. En premier lieu, adaptez le siège aux paramètres individuels de votre corps et réglez correctement les accoudoirs. La position des bras est correcte lorsqu'ils forment l'angle de 90 degrés. Il faut changer de position entre assis et debout toutes les 20 minutes.



## 5. Manipulation

La manipulation requiert la prudence et la responsabilité de l'utilisateur. Ceci n'est pas un jouet, c'est une machine. Lisez ce manuel et suivez les instructions fournies pour réduire le danger, afin que ce poste de travail soit sécurisé pour l'utilisateur final et tout autre personne à proximité.



**Attention : risque de blessures, notamment pour les enfants!** Veillez à ce que les enfants ou tout autre personne se trouvent à une distance de sécurité lorsque vous réglez la hauteur à l'aide de l'interrupteur manuel ou lorsque vous utilisez l'option de plan coulissant.



**Attention : Absence de protection personnelle!** Le poste de travail est équipé d'un système anti-collision lors du réglage de la hauteur: le mouvement vers le haut et vers le bas. Cependant, il n'est pas actif lorsque le mouvement commence. Il ne constitue pas une protection pour les personnes ou les équipements placés sur le plateau. La négligence de cet avertissement peut entraîner des blessures corporelles ou des dommages matériels! Il incombe à l'utilisateur de vérifier l'environnement pour éviter tout risque de collision avec des personnes ou des objets situés à proximité avant de régler la hauteur.



**Attention : Risque d'être happé par les colonnes de levage!** Pendant le réglage de la hauteur, aucun objet, partie du corps ou câble ne doit se trouver dans la proximité des colonnes de levage.

## 6. Panneau de commande : bouton de réglage haut / bas

### 6.1 Initialisation du système/Première mise en marche

Afin d'assurer un fonctionnement correct du poste, il est nécessaire de procéder à son initialisation avant la première utilisation.



| Appuyer et maintenir enfoncé le bouton « **bas** », jusqu'à la position la plus basse du poste, ensuite relâcher le bouton.

La même fonctionnalité s'applique lorsque les câbles reliant les colonnes au module de commande ont été déconnectés. Si le module de commande nécessite l'initialisation, le poste ne peut bouger que vers le « **bas** », et au ralenti.

Le relâchement anticipé du bouton peut causer un dysfonctionnement du poste. Si cela se produit, répéter la procédure d'initialisation.



**Remarque :** Il faut utiliser uniquement le module de commande prévu par le fabricant pour les modèles particuliers de produits. Les limites des plages de réglages sont fixées en série.



**Danger :** Lors de la procédure d'initialisation ou de réinitialisation, le dispositif anti-collision ne s'active pas. Pendant cette opération, il faut toujours s'attendre au risque possible d'écrasement.

### 6.2 Réglage de la hauteur

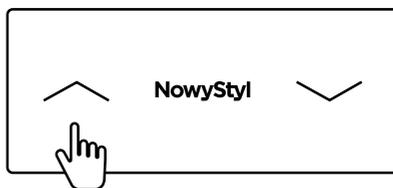
Pour diminuer la hauteur :

| Appuyer et maintenir enfoncé le bouton « **bas** » pour atteindre la hauteur souhaitée.



Pour augmenter la hauteur :

| Appuyer et maintenir enfoncé le bouton « **haut** » pour atteindre la hauteur souhaitée.

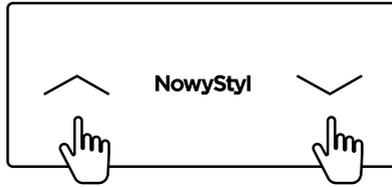


Le mouvement du bureau vers le « haut » / « bas » va continuer jusqu'à ce que le bouton soit relâché ou que le bureau atteigne la position la plus haute / la plus basse possible.

En cas d'inégalités du sol, mettre le poste à niveau à l'aide des patins réglables avant de procéder aux réglages.

## 6.3 Réinitialisation

1. Appuyer et maintenir enfoncé simultanément les boutons « **bas** » et « **haut** » pendant 10 secondes.



2. Réaliser la procédure de « l'initialisation du système/première mise en marche » (6.1)

Le relâchement anticipé du bouton peut causer un dysfonctionnement du poste. Si cela se produit, répéter la procédure d'initialisation.

## 7. Panneau de commande : avec affichage et fonction de mémoire

### 7.1 Initialisation du système/Première mise en marche

Afin d'assurer un fonctionnement correct du poste, il est nécessaire de procéder à son initialisation avant la première utilisation.



- Appuyer et maintenir enfoncé le bouton « **bas** », jusqu'à la position la plus basse du poste, ensuite relâcher le bouton.

Pendant la procédure d'initialisation, l'écran affichera le symbole  $rEF$

La même fonctionnalité s'applique lorsque les câbles reliant les colonnes au module de commande ont été déconnectés, ou en cas d'erreurs de la hauteur dans les positions extrêmes, ou lorsque la hauteur réelle ne correspond pas à la hauteur affichée. Si le module de commande nécessite l'initialisation (s'affiche le symbole

$C38$ , le poste ne peut bouger que vers le « bas », et au ralenti.

Le relâchement anticipé du bouton peut causer un dysfonctionnement du poste. Si cela se produit, répéter la procédure d'initialisation.

## 7.1 Initialisation du système/Première mise en marche



**Remarque:** Il faut utiliser uniquement le module de commande prévu par le fabricant pour les modèles particuliers de produits. Les limites des plages de réglages sont fixées en série.



**Danger:** Lors de la procédure d'initialisation ou de réinitialisation, le dispositif anticollision ne s'active pas. Pendant cette opération, il faut toujours s'attendre au risque possible d'écrasement.

## 7.2 Réglage de la hauteur

Pour diminuer la hauteur :

| Appuyer et maintenir enfoncé le bouton « **bas** » pour atteindre la hauteur souhaitée.



Pour augmenter la hauteur :

| Appuyer et maintenir enfoncé le bouton « **haut** » pour atteindre la hauteur souhaitée.



Le mouvement du bureau vers le « haut » / « bas » va continuer jusqu'à ce que le bouton soit relâché ou que le bureau atteigne la position la plus haute / la plus basse possible.

En cas d'inégalités du sol, mettre le poste à niveau à l'aide des patins réglables avant de procéder aux réglages.

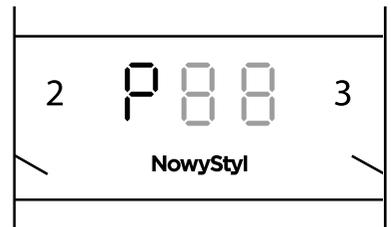
## 7.3 Mémoriser la hauteur sélectionnée

1. Placer le bureau à la hauteur souhaitée à l'aide des boutons « **haut** » et « **bas** » ; la hauteur s'affiche sur l'écran.

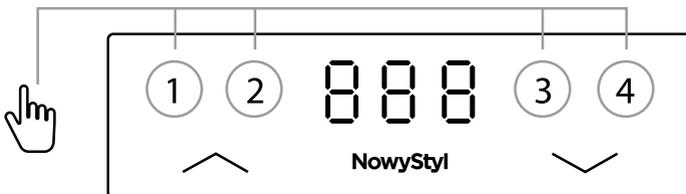


2. Appuyer sur le bouton « **logo** ».

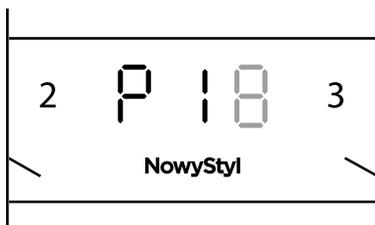
Le symbole « **P** » s'affiche sur l'écran.



3. Appuyer sur un des boutons désignés par un chiffre: **1**, **2**, **3** ou **4**.



La position actuelle du bureau sera sauvegardée sous le numéro indiqué, et l'écran affichera un symbole, par exemple **P1**. Après environ 2 secondes, la valeur de la hauteur mémorisée s'affichera sur l'écran.



Les réglages de la hauteur seront mémorisés.

Afin de régler le poste à la hauteur mémorisée, appuyer et maintenir enfoncé le bouton correspondant, jusqu'à ce qu'on atteigne la hauteur mémorisée.

Si le bouton est relâché avant d'obtenir la hauteur mémorisée, le plateau s'arrêtera à la hauteur affichée au moment où le bouton a été relâché.

## 7.4 Modifier l'unité de mesure affichée

La hauteur peut s'afficher en centimètres ou en pouces. Afin de modifier l'unité de mesure :

1. Appuyer sur le bouton «**logo**» et le maintenir enfoncé pendant environ 5 secondes.



2. Valider dans le menu du panneau de commande l'option **F** en appuyant sur le bouton «**logo**».
3. Sélectionner une des unités de mesure en appuyant sur le bouton «**haut**» ou «**bas**».



Le symbole «**I**» s'affiche pour les pouces, le symbole «**C**» s'affiche pour les centimètres.

4. Valider le choix d'une mesure en appuyant sur le bouton «**logo**». Afin de quitter le menu sans sélection, attendre environ 10 secondes, jusqu'à ce que la hauteur réapparaisse sur l'écran.

## 7.5 Ajuster la hauteur affichée à la hauteur réelle

En cas où la hauteur réelle ne corresponde pas à la hauteur affichée sur l'écran du panneau de commande, il est possible de la corriger. Pour ce faire :

1. Appuyer sur le bouton «**logo**» et le maintenir enfoncé pendant environ 5 secondes.



## 7.5 Ajuster la hauteur affichée à la hauteur réelle

2. À l'aide du bouton « **haut** » ou « **bas** », sélectionner l'option **F2** dans le menu.



3. Valider le choix en rappuyant sur le bouton « **logo** ».



4. Mesurer la hauteur réelle, ensuite diminuer ou augmenter le chiffre affiché à l'aide du bouton « **haut** » ou « **bas** », jusqu'à l'obtention de la hauteur correcte.



5. Valider la valeur en rappuyant sur le bouton « **logo** ».



Afin de quitter le menu sans sélection, attendre environ 10 secondes, jusqu'à ce que la hauteur réapparaisse sur l'écran.

## 7.6 Restaurer les paramètres par défaut

Afin de restaurer les paramètres par défaut, effectuer les opérations suivantes :

1. Appuyer sur le bouton « **logo** » et le maintenir enfoncé pendant environ 5 secondes.



2. À l'aide du bouton « **haut** » ou « **bas** », sélectionner l'option **F3** dans le menu.



3. Valider le choix en appuyant sur le bouton « **logo** ».



Le symbole **000** s'affichera sur l'écran.

4. Rappuyer sur le bouton « **logo** ».



Les paramètres par défaut ont été restaurés. Le symbole **038** s'affichera sur l'écran. Terminer le processus en réalisant l'Initialisation du système/Première mise en marche: (7.1).

## 7.7 Régler un arrêt en position limitée la plus basse ou la plus haute

**Cette fonctionnalité protège contre une collision, par exemple avec un caisson se trouvant sous le bureau ou avec un rebord de fenêtre.**

### A) REGLER LA POSITION LIMITEE LA PLUS BASSE

1. À l'aide d'un bouton « **haut** » ou « **bas** », placer le plateau à la hauteur 96 ou moins.



2. Appuyer et maintenir le bouton « **logo** » pendant environ 5 secondes.



3. À l'aide des boutons « **haut** » ou « **bas** », sélectionner l'option F4 du menu. Valider en rappuyant sur le bouton « **logo** »..



## 7.7 Régler un arrêt en position limitée la plus basse ou la plus haute

Une bande lumineuse apparaît sur le panneau d'affichage.



À l'aide d'un bouton « **haut** » ou « **bas** », régler la limite du plateau sur la hauteur LA PLUS BASSE ;



Valider avec le bouton « **logo** ».



### B) REGLER LA POSITION LIMITEE LA PLUS HAUTE

1. À l'aide d'un bouton « **haut** » ou « **bas** », placer le plateau à la hauteur 98 ou plus.



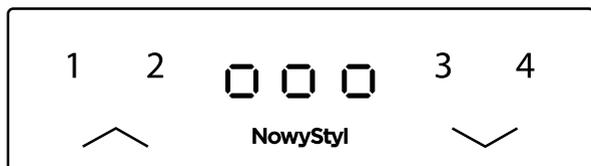
2. Appuyer et maintenir le bouton « **logo** » pendant environ 5 secondes.



3. À l'aide des boutons « **haut** » ou « **bas** », sélectionner l'option F4 du menu. Valider en appuyant sur le bouton « logo ».



Une bande lumineuse apparaît sur le panneau d'affichage.



À l'aide d'un bouton « **haut** » ou « **bas** », régler la limite du plateau sur la hauteur LA PLUS HAUTE ;



Valider avec le bouton « **logo** ».



Afin de supprimer le réglage de l'arrêt dans la position la plus basse ou la plus haute :

1. Appuyer sur le bouton « **logo** » et le maintenir enfoncé pendant environ 5 secondes.



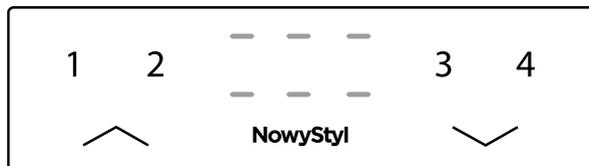
2. À l'aide du bouton « **haut** » ou « **bas** », sélectionner l'option F5 dans le menu.



3. Valider le réglage en appuyant sur le bouton « **logo** ».

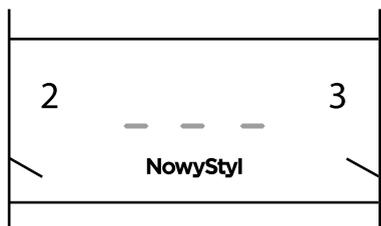


Une bande lumineuse s'affichera sur l'écran.

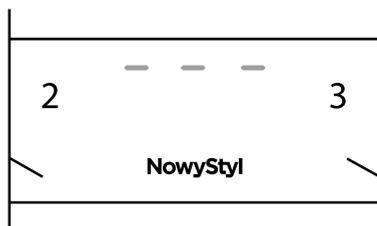


À l'aide du bouton « **haut** » ou « **bas** », sélectionner de :

Supprimer le réglage de la position la plus basse



Supprimer le réglage de la position la plus haute



Valider le réglage en appuyant sur le bouton « **logo** ».

## 7.8 Fonction de verrouillage

Pour protéger le bureau d'une utilisation non autorisée, le mouvement de la table peut être activé ou désactivé dans le menu à l'aide d'un commutateur manuel.

Pour activer ou désactiver le verrouillage, procédez comme suit :

1. Appuyez sur la touche « **logo** » pendant environ 5 secondes.



2. Sélectionnez l'option F11 dans le menu à l'aide des touches « **bas** » ou « **haut** ».



3. Confirmez le réglage à l'aide de la touche « **logo** ».



4. Utilisez les touches « **bas** » ou « **haut** » pour sélectionner l'option ON ou OFF où ON signifie un fonctionnement normal du plateau, OFF signifie une position verrouillée du plateau.



5. Appuyez sur la touche « **logo** » pour confirmer le réglage sélectionné. Si vous n'appuyez pas sur la touche « **logo** » dans les 10 secondes, le réglage sélectionné est annulé.
6. Lorsque la fonction de verrouillage est active, en appuyant sur la touche **haut/bas** ou en sélectionnant une des positions de mémoire, « OFF » s'affiche sur l'écran. Pour déverrouiller le bureau, utilisez le menu F11.

## 8. Disfonctionnements et solutions possibles

Type d'erreur	Cause	Dépannage
Le poste ne fait aucun mouvement	Le câble d'alimentation est débranché	Brancher le câble d'alimentation, vérifier son raccordement au module de commande.
	Manque de raccordement ou mauvais raccordement des composants électriques	Vérifier le raccordement des composants au module de commande.
	Manque de raccordement avec le panneau de commande	Raccorder le panneau de commande au module de commande.
	La charge maximale dépassée	Réduire la charge.
	Le temps de fonctionnement continu dépassé	Le poste sera réactivé 3 minutes plus tard. <b>Remarque :</b> Le temps de fonctionnement continu maximal du mécanisme de levage est de 2 minutes ; après cela, une pause d'au moins 18 minutes dans les réglages du bureau est nécessaire.
	Moteur endommagé	Contacter le Service Client.
	Module de commande endommagé	
Système d'entraînement endommagé		
Le poste bouge uniquement vers le bas, d'un mouvement ralenti	Le module de commande nécessite l'initialisation ou le redémarrage	Procéder à l'initialisation du système/ Première mise en marche, conformément aux indications de la notice.
Le poste bouge mais au ralenti	La charge maximale a été dépassée	Réduire la charge du plateau.
Le poste ne fait qu'un petit mouvement dans un sens.	Manque de raccordement ou mauvais raccordement des composants électriques	Vérifier le raccordement des composants au module de commande.
	Système d'entraînement endommagé	Contacter le Service Client.

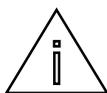
## 9. Information concernant les messages d'erreur affichés

Symbole affiché	Description de l'erreur	Dépannage	Symbole affiché après le dépannage
C 01	Court-circuit dans le moteur 1	Couper l'alimentation. Vérifier si les câbles connectant la colonne au module de commande ne sont pas endommagés, ou raccorder le moteur à la prise correspondante. En cas de besoin, procéder à l'Initialisation du système/ Première mise en marche, conformément aux indications de la notice.	001-999 La hauteur normale s'affiche.
C 02	Court-circuit dans le moteur 2		
C 03	Court-circuit dans le moteur 3		
C 05	Défaut du relais	Remplacer le module de commande.	
C 11	Le câble raccordant le moteur 1 est débranché	Vérifier le raccordement des câbles connectant la colonne au module de commande.	C 38 Il est nécessaire de procéder à l'Initialisation du système/ première mise en marche.
C 12	Le câble raccordant le moteur 2 est débranché		
C 13	Le câble raccordant le moteur 3 est débranché		
C 15	Brak mierzalnego ruchu silnika 1	Couper l'alimentation. Vérifier si les câbles connectant la colonne au module de commande ne sont pas endommagés. Si nécessaire, échanger le câble raccordant le moteur à la prise correspondante. Redémarrer le module de commande.	
C 16	Brak mierzalnego ruchu silnika 2		
C 17	Brak mierzalnego ruchu silnika 3		
C 18	Les moteurs sont désynchronisés	La charge maximale a été dépassée. Réduire la charge en enlevant l'excédent des objets du plateau.	
C 34	Surcharge du moteur 1	La charge maximale a été dépassée. Réduire la charge en enlevant l'excédent des objets du plateau.	001-999 La hauteur normale s'affiche.
C 35	Surcharge du moteur 2		
C 36	Surcharge du moteur 3		
C 37	Tension trop élevée		
C 38	Les moteurs sont désynchronisés. Il est nécessaire de procéder à l'Initialisation du système/ première mise en marche	Repartir la charge de manière égale. Si nécessaire, enlever l'excédent des objets du plateau. Procéder à l'Initialisation du système/ Première mise en marche, conformément aux indications de la notice.	
C 39	Erreur du module de commande non communiqué	Vérifier si les câbles sont correctement connectés au module de commande et sur le secteur.	001-999 La hauteur normale s'affiche.
		Utiliser le menu F 3 afin de revenir vers les réglages par défaut et ensuite reconfigurer.	C 38 Il est nécessaire de procéder à l'Initialisation du système/ première mise en marche.

## 9. Information concernant les messages d'erreur affichés

Symbole affiché	Description de l'erreur	Dépannage	Symbole affiché après le dépannage
C 40	Erreur du capteur anticollision	Le réglage de la hauteur est toujours possible, mais sans le système anticollision. Vérifier le capteur anticollision externe et son raccordement au module de commande.	001-999 La hauteur normale s'affiche.
C 41	Endommagement du capteur interne	Échanger le module de commande.	—
C 51	Opérations de mouvement contradictoires	Arrêter le travail de tous les panneaux de commande.	001-999 La hauteur normale s'affiche.
C 52	Bug du bouton « haut »	Échanger le panneau de commande.	
C 53			
C 81	Tension trop faible	Peut survenir lorsque le câble d'alimentation est débranché.	001-999 La hauteur normale s'affiche.
		Alimentation défectueuse, échanger le module de commande.	C 38
C 82	Tension trop élevée	Peut survenir lorsque le câble d'alimentation est débranché.	L'initialisation du système est nécessaire.
C 84	Les colonnes ne sont pas connectées.	Connecter les colonnes et les panneaux de commande, revenir aux réglages par défaut via le menu F 3.	C 38
C 85	Le nombre de colonnes ne correspond pas aux paramètres en cours	Vérifier la connexion de câbles avec les moteurs et revenir aux réglages par défaut via le menu F 3	L'initialisation du système est nécessaire.
r EF	L'initialisation en cours.	Procéder à l'initialisation du système jusqu'à la hauteur la plus basse.	
SP	Protection du système contre la surchauffe. Le temps de fonctionnement a été dépassé.	Attendre jusqu'à ce que l'entraînement refroidisse et le communiqué SP s'éteigne. Le système d'entraînement permettra un mouvement pendant 17s. Après 18 minutes de pause, le poste peut fonctionner à nouveau en continu pendant 2 minutes maximum.	001-999 La hauteur normale s'affiche.
COL	Collision détectée sans discernement	Supprimer l'obstacle.	
SCC CON.STAND „C30“ for M1 „C31“ for M2 „C32“ for M3	Collision détectée par le moteur		
SEN CON.STAND „C27“	Collision détectée par le capteur		

Symbole affiché	Description de l'erreur	Dépannage	Symbole affiché après le dépannage
CAL	Calibrage du capteur	Ne pas toucher le poste. Lors du calibrage, le plateau ne peut être sujet à aucune vibration.	001-999 La hauteur normale s'affiche.
PAR	Paramètres erronés	Utiliser le menu F3 afin de revenir vers les réglages par défaut. Si malgré cela l'erreur persiste, faites remplacer le module de commande ou faites charger de nouveaux paramètres corrects par le Service Clients.	C38 Il est nécessaire de procéder à l'Initialisation du système/ première mise en marche.
001-999	Le plateau est en mouvement, affichage de hauteur	—	—



**Remarque :** Si pendant le réglage de la hauteur il y a une panne de courant ou le câble d'alimentation se déconnecte, une réinitialisation peut s'avérer nécessaire.

Si l'erreur ne peut pas être réparée de la manière décrite ci-dessus, couper l'alimentation, attendre quelques minutes et réessayer la procédure de l'Initialisation du système/ Première mise en marche.

Si l'erreur persiste, couper l'alimentation et contacter le Service Client.

## 10. Codage de clics

Clic = relais actionné, Clac = relais en baisse

Dès que le module de commande est alimenté, le contrôleur utilise un relais intégré pour informer acoustiquement l'utilisateur de l'état du système et de la raison du dernier arrêt.

Nombre de clic-clacs	À quel moment	Informations sur le statut
1x	l'alimentation est branchée	Fonctionnement normal : aucun problème concernant le système.
1x	bouton « haut » est enfoncé	Réinitialisation : il est nécessaire de procéder à l'initialisation du système
7x	pendant le mouvement, la connexion avec un des moteurs est perdue	Erreur : le bureau ne peut plus bouger
2x	réglage de limite de la course : arrêt	confirmation de sauvegarde de la position limite (uniquement avec le bouton de réglage manuel haut/bas, sans affichage)
4x	effacement du réglage de limite de la course : arrêt	confirmation d'effacement de la position limite (uniquement avec le bouton de réglage manuel haut/bas, sans affichage)
7x	mouvement irrégulier du bureau	error: the drives do not have the same height, initialisation proce Erreur : les moteurs ne sont pas à la même hauteur. Il est nécessaire de procéder à l'initialisation du système dure required

# 11. Paramètres techniques

## eModel 2.0

Tension	100–240 V / 50–60 Hz
Consommation	2,5 A
Puissance nominale	250 W
Mode standby (puissance)	0,3 W
Conditions environnementales requises pendant l'exploitation	Température : entre +5 °C et +40 °C Humidité : entre 10 % et 85 %
Conditions environnementales requises pendant le transport et le stockage	Température : entre -25 °C et +70°C Humidité : entre 5 % et 90 % Température entre 55 °C et +70 °C est admissible pendant 24 heures au maximum.
Charge maximale, uniformément répartie	100 kg, 20 kg pour bureau à une colonne
Durée maximale de fonctionnement continu	2 min marche/ 18 min arrêt
Course de réglage	640–1300 mm (max: 660 mm, pour bureau à une colonne 460 mm)
Émission de bruit :	45 < dB(A)
Vitesse de déplacement :	38 mm / s
Anticollision	Capteur gyroscopique externe

## 12. Déclaration de conformité

### Original EU-Konformitätserklärung Original EU Declaration of Conformity

im Sinne der EG-Richtlinie 2006/42/EG über Maschinen (Anhang II A)  
according to EC directive 2006/42/EC on machinery (Annex II A)

Name und Anschrift des Herstellers / Name and address of the manufacturer:

Nowy Styl Sp. z o.o.  
ul. Puzaka 49  
38-400 Krosno  
Poland

Diese Erklärung bezieht sich nur auf die Maschine in dem Zustand, in dem sie in Verkehr gebracht wurde; vom Endnutzer nachträglich angebrachte Teile und/oder nachträglich vorgenommene Eingriffe bleiben unberücksichtigt. Die Erklärung verliert ihre Gültigkeit, wenn das Produkt ohne Zustimmung wesentlich verändert wird.

*This declaration relates exclusively to the machinery in the state in which it was placed on the market, and excludes components which are added and/or operations carried out subsequently by the final user. The declaration is no more valid, if the product is modified without agreement.*

Hiermit erklären wir in alleiniger Verantwortung als Hersteller, dass die Maschine  
Herewith we declare in our sole responsibility as manufacturer, that the machinery

Elektrisch höhenverstellbarer Bürotisch / Office table desk with electrical height adjustment

Produktgruppe / Product group:

Desk

Name / product name:

eModel 2.0

Modell / model:

T-leg base

Version / version:

with electric height adjustment

allen einschlägigen Harmonisierungsrechtsvorschriften der Union entspricht/  
is in conformity with the relevant Union harmonisation legislation:

Maschinenrichtlinie 2006/42/EG / Machinery Directive 2006/42/EC

EMV-Richtlinie 2014/30/EU / EMC Directive 2014/30/EU

EG-Niederspannungsrichtlinie 2014/35/EU / Low Voltage Directive 2014/35/EU

Angewandte (harmonisierte) Normen / (Harmonised) Standards applied

EN ISO 13849-1

EN 60335-1

EN 82233

EN 61000-3-2

EN 61000-3-3

EN 61000-6-2

EN 61000-6-3

EN 527-1

EN 527-2

DIN FB 147

Bevollmächtigter für die Zusammenstellung der relevanten technischen Unterlagen:

The person authorised to compile the relevant technical documentation:

Nowy Styl Sp. z o.o., construction department  
ul. Puzaka 49  
38-400 Krosno  
Poland

MEMBER OF THE BOARD  
CHIEF OPERATION OFFICER

  
Dariusz Przdrych

Krosno, 17/04/2020

Ort, Datum  
Place, Date

Name, Vorname und Funktion des Unterzeichners  
surname, first name and function of signatory

Unterschrift  
Signature

PROKURANT

  
Piotr Kozłowski

## 12. Déclaration de conformité

### Original EU-Konformitätserklärung Original EU Declaration of Conformity

im Sinne der EG-Richtlinie 2006/42/EG über Maschinen (Anhang II A)  
according to EC directive 2006/42/EC on machinery (Annex II A)

Name und Anschrift des Herstellers / Name and address of the manufacturer:

Nowy Styl Sp. z o.o.  
ul. Pużaka 49  
38-400 Krosno  
Poland

Diese Erklärung bezieht sich nur auf die Maschine in dem Zustand, in dem sie in Verkehr gebracht wurde; vom Endnutzer nachträglich angebrachte Teile und/oder nachträglich vorgenommene Eingriffe bleiben unberücksichtigt. Die Erklärung verliert ihre Gültigkeit, wenn das Produkt ohne Zustimmung wesentlich verändert wird.

*This declaration relates exclusively to the machinery in the state in which it was placed on the market, and excludes components which are added and/or operations carried out subsequently by the final user. The declaration is no more valid, if the product is modified without agreement*

Hiermit erklären wir in alleiniger Verantwortung als Hersteller, dass die Maschine  
Herewith we declare in our sole responsibility as manufacturer, that the machinery

<b>Elektrisch höhenverstellbarer Bürotisch / Office table desk with electrical height adjustment</b>	
Produktgruppe / Product group:	Workbench
Name / product name:	eModel 2.0
Modell / model:	H base
Version / version:	with electric height adjustment

allen einschlägigen Harmonisierungsrechtsvorschriften der Union entspricht  
is in conformity with the relevant Union harmonisation legislation:

Maschinenrichtlinie 2006/42/EG / Machinery Directive 2006/42/EC  
EMV-Richtlinie 2014/30/EU / EMC Directive 2014/30/EU  
EG-Niederspannungsrichtlinie 2014/35/EU / Low Voltage Directive 2014/35/EU

Angewandte (harmonisierte) Normen / (Harmonised) Standards applied

EN ISO 13849-1  
EN 60335-1  
EN 62233  
EN 61000-3-2  
EN 61000-3-3  
EN 61000-6-2  
EN 61000-6-3

EN 527-1  
EN 527-2  
DIN FB 147

Bevollmächtigter für die Zusammenstellung der relevanten technischen Unterlagen:  
The person authorised to compile the relevant technical documentation:

Nowy Styl Sp. z o.o., construction department  
ul. Pużaka 49  
38-400 Krosno  
Poland

MEMBER OF THE BOARD  
CHIEF OPERATION OFFICER

Dariusz Frydrych

Krosno, 17/04/2020

Ort, Datum  
Place, Date

Name, Vorname und Funktion des Unterzeichners  
surname, first name and function of signatory

Unterschrift  
Signature

PROKURENT

Piotr Kozłowski

## 13. Entretien, réparations, nettoyage et soins

L'entretien et les réparations ne doivent être réalisés que par le personnel autorisé du S.A.V.



**Attention : Risque d'électrocution !** Toujours débrancher le câble d'alimentation avant le nettoyage. Nettoyer uniquement avec un chiffon sec ou légèrement humide. Ne jamais laisser des liquides entrer en contact avec les composants électriques (par exemple, les câbles, le module de commande, les colonnes de levage), sinon il y a un risque d'électrocution !

Utiliser des détergents et des nettoyeurs communs. Assurez-vous d'utiliser uniquement les produits de nettoyage adaptés au matériau concerné (bois, plastique, métal etc.).

## 14. Mise au rebut



**Remarque :** La mise au rebut des composants du bureau doit toujours être effectuée conformément aux réglementations environnementales locales.

Les propriétaires de vieux appareils électriques doivent les collecter séparément des déchets municipaux non triés.

Déposez les déchets électriques dans un point de collecte ou utilisez le service de collecte des déchets électriques à domicile.

Séparez les piles et les accumulateurs usagés du vieil appareil avant de les remettre au point de collecte. Les points de collecte des anciens appareils se trouvent dans des centres de tri et de recyclage, dans des déchetteries publiques ou chez des revendeurs pratiquant un système de reprise.

Le dépôt des vieux appareils dans les points de collecte des communes et des districts est gratuit. Ceux-ci informent les particuliers, généralement par le biais de brochures d'information telles que le calendrier des déchets ou par Internet, des emplacements et des horaires d'ouverture des points de collecte ainsi que des autres possibilités de collecte des vieux appareils.







E01\_2023  
MO303-1984



**Nowy Styl sp. z o.o.**

ul. Pużaka 49,  
38-400 Krosno

T +48 13 43 76 100

F +48 13 43 62 732

E [info@nowystyl.com](mailto:info@nowystyl.com)

© Copyright 2023 Nowy Styl sp. z o.o.

Publications of Nowy Styl sp. z o.o.

Brands and trademarks used herein are the property of NSG TM sp. z o.o.

[www.NowyStyl.com](http://www.NowyStyl.com)

