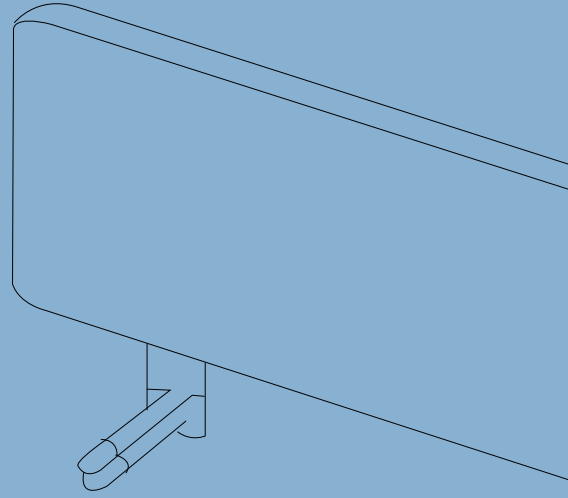
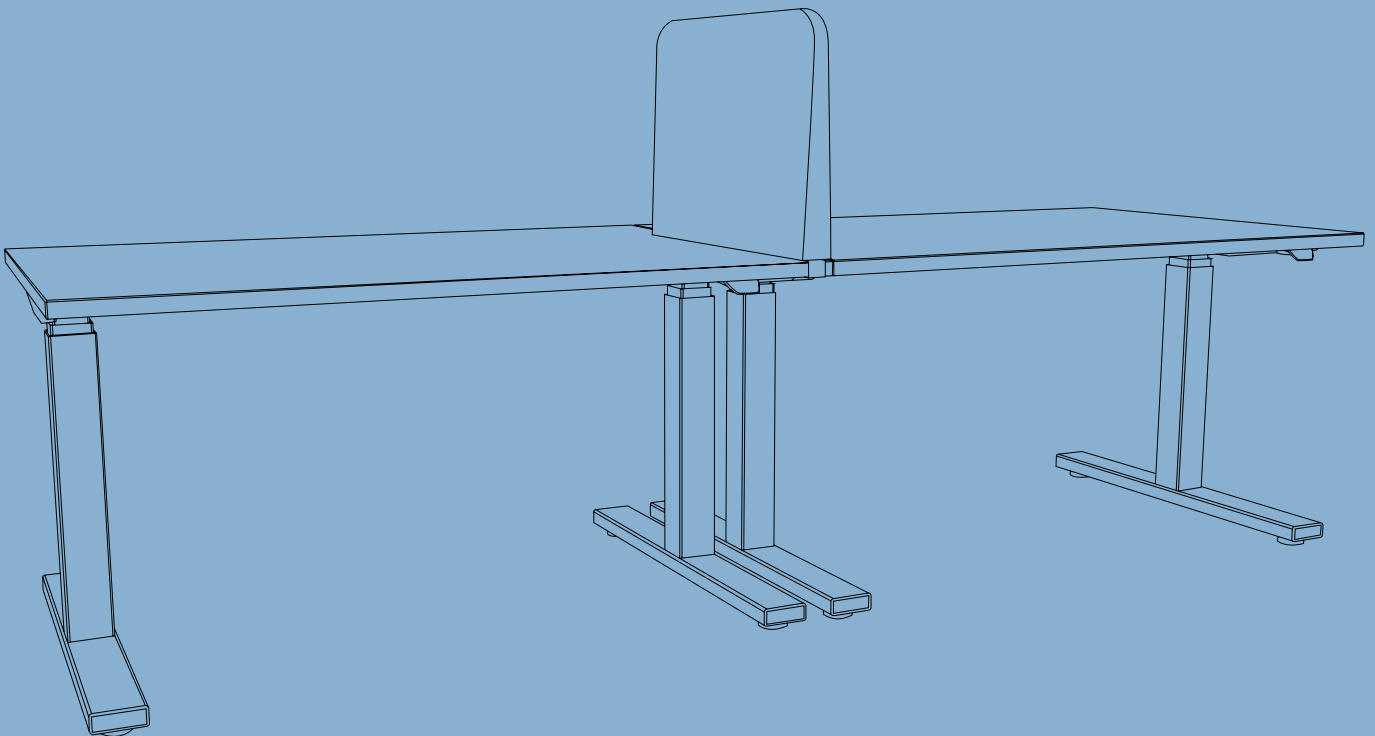


NowyStyl



DESK PANELS

Acoustic products specification



Let's make your space together

NowyStyl

Content development:

Anna Kanik
Katarzyna Bereźnicka

Graphic Design:

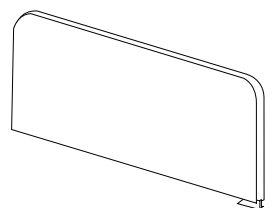
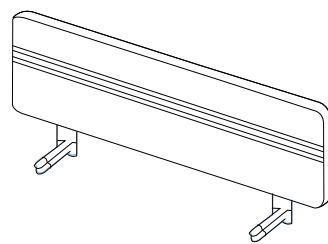
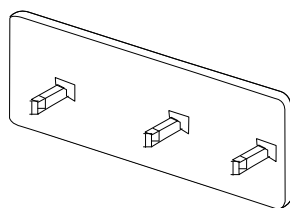
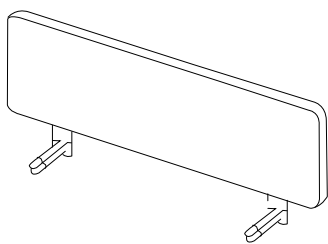
Zuzanna Kierenkiewicz

© Copyright 2023 Nowy Styl Sp. z o.o.

Publications of Nowy Styl Sp. z o.o. Brands and trademarks used herein are the property of NSG TM Sp. z o.o.

Table of Contents

Sileo desk or workbench panel A+	4
Sileo S desk or workbench panel I+	5
Sileo mobile desk panel	6
Sileo desk or workbench panel I+	7
CS5040 desk upper panel, felt	8



Sileo desk or workbench panel A+

(Absorption+)

Acoustic product specification

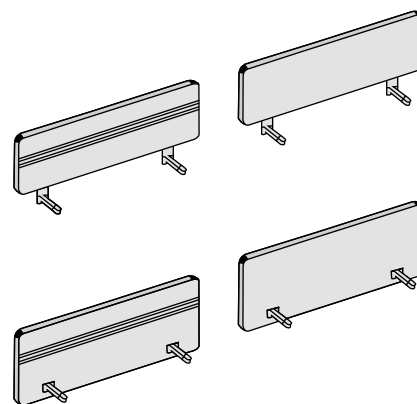
Details:

desk panel

dimensions [mm]	weight [kg/piece]
1200 × 660 × 58	11,0
1400 × 660 × 58	12,6
1600 × 660 × 58	14,7
1800 × 660 × 58	16,3

workbench panel

dimensions [mm]	weight [kg/piece]
1200 × 520 × 58	12,0
1400 × 520 × 58	14,0
1600 × 520 × 58	15,2
1800 × 520 × 58	16,6



Fabrics: Blazer, Synergy

A set consists of: a panel, brackets and a manual.

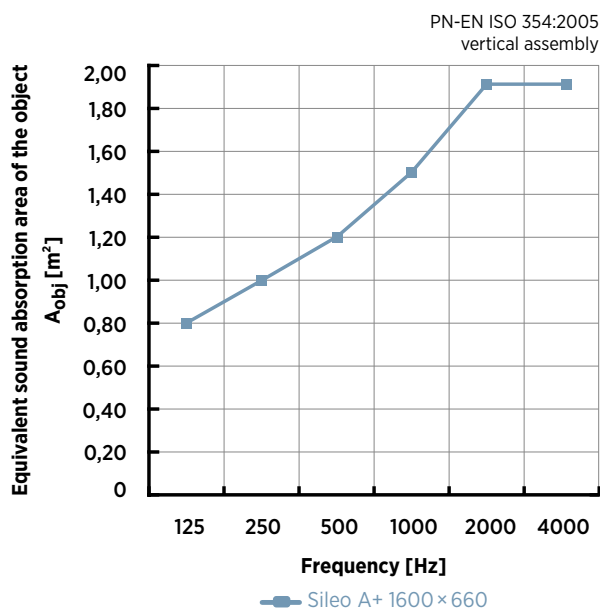
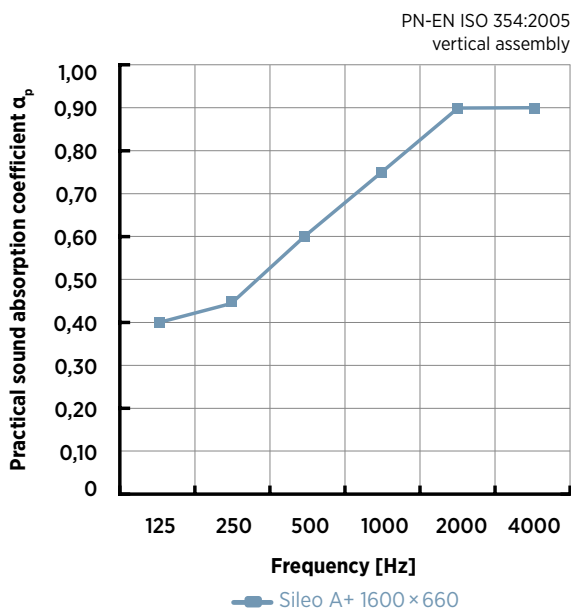
Assembly: to desk or workbench frame with dedicated metal brackets.

Bracket finish option: traffic white, white aluminium and black colour.

Integration: SQuart desks and workbenches, Play&Work desks and workbenches with U-shape base.

Construction: frame is made of plywood and solid wood. Perforated board inside, increasing sound-absorbing properties, covered with polyester non-woven fabric-light, hardly flammable, anti-allergic and eco-friendly material, made of 85 % recycled fibres. Panel upholstered with fabric cover.

Acoustic properties



Functional and durable acoustic panel with increased sound-absorbing properties. Acoustic panels create a barrier separating from the sound source and their sound-absorbing properties also reduce the reverberation time. Product has good absorption in full frequency range and it is the most effective in the range of medium and high frequencies, so it will mostly absorb human speech, clicking, tapping, phone ringtones etc.

Sound absorption coefficient α							Sound absorption class
f[Hz]	125	250	500	1000	2000	4000	
α_p	0,40	0,45	0,60	0,75	0,90	0,90	C
α_w	0,65 (MH)						
Equivalent sound absorption area of the object A_{obj} [m ²]							
f[Hz]	125	250	500	1000	2000	4000	
A_{obj} [m ²]	0,8	1,0	1,2	1,5	1,9	1,9	

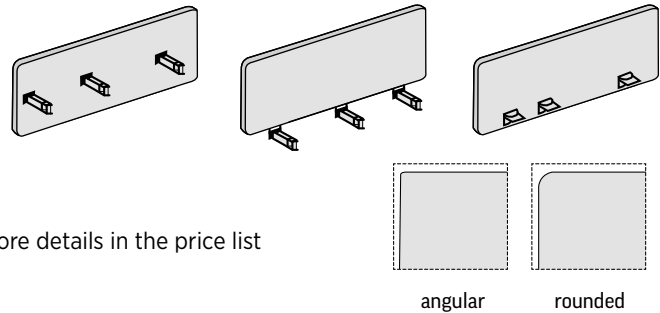
Sileo S desk or workbench panel I+

(Isolation+)

Acoustic product specification

Details:

	dimensions* [mm]	
	desk panel	workbench panel
height	660	520, 560, 607, 700, 737
width	1200, 1400, 1600, 1800, 2000	
thickness	40	



*specific dimensions and weight depend on type of the base, more details in the price list

Fabrics: Blazer, Synergy

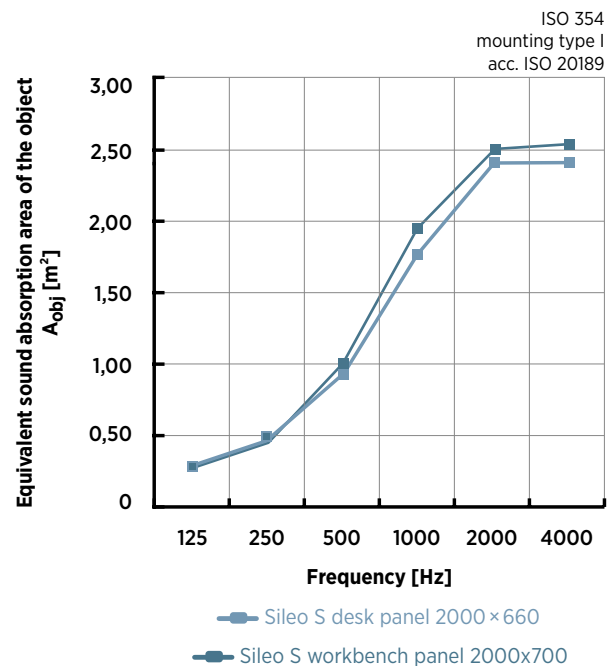
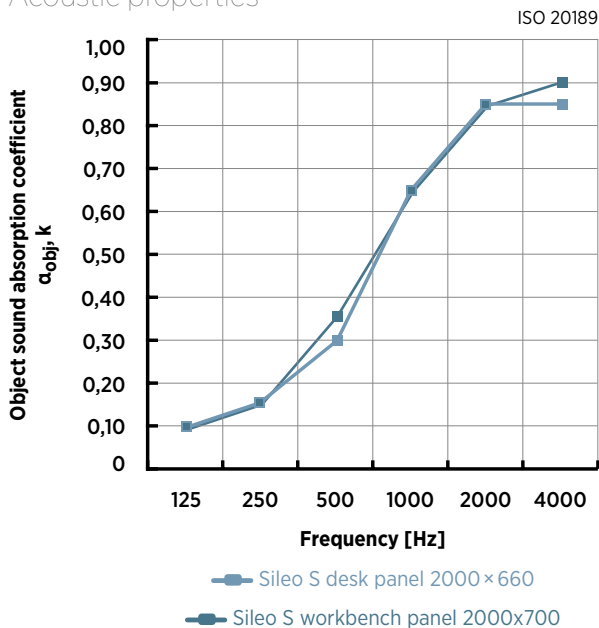
Bracket finish option: traffic white, white aluminium and black colour.

A set consists of: a panel, brackets and a manual.

Assembly:	to desk or workbench frame with dedicated metal brackets	to table top edge with dedicated metal brackets:
Integration:	<ul style="list-style-type: none"> - rectangular desks SQart, - Play&Work desks with U-shape base, - CS5040 desks, - CS5040 workbenches, - SQart workbenches, - Play&Work workbenches with U-shape base, - Play&Work workbenches with H-shape base, - eModel workbenches with H-shape base. 	<ul style="list-style-type: none"> - Play&Work desks with T-shape base, - eModel desks with T-shape base.

Construction: wooden frame and HDF board inside, inscreasing sound-isolating properties, production waste foam, with high acoustic properties. Panel upholstered with fabric cover and pinnable.

Acoustic properties



		Object sound absorption coefficient $\alpha_{obj,k}$					
f[Hz]		125	250	500	1000	2000	4000
desk panel		0,10	0,15	0,30	0,65	0,85	0,85
workbench panel		0,10	0,15	0,35	0,65	0,85	0,90
		Equivalent sound absorption area of the object A_{obj} [m ²]					
f[Hz]		125	250	500	1000	2000	4000
desk panel		0,3	0,4	0,9	1,7	2,4	2,4
workbench panel		0,3	0,4	1,0	1,9	2,5	2,6



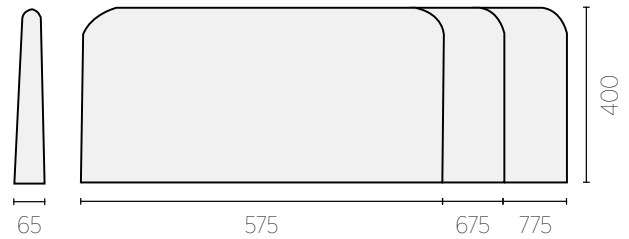
Functional and durable acoustic panel with increased sound-isolating properties. Acoustic panels create a barrier separating from the sound source and their sound-absorbing properties also reduce the reverberation time. Product has good absorption in full frequency range and it is the most effective in the range of medium and high frequencies, so it will mostly affect human speech, clicking, tapping, phone ringtones etc.

Sileo mobile desk panel

Acoustic product specification

Details:

dimensions [mm]	weight [kg/piece]	minimum depth of table for integration [mm]
575 × 400 × 65	2,0	600
675 × 400 × 65	2,25	700
775 × 400 × 65	2,50	800



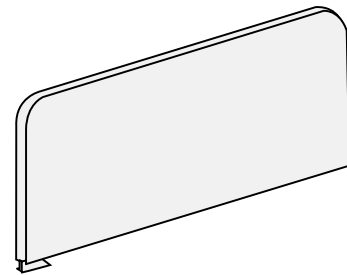
Fabrics: Blazer, Synergy

Bracket finish option: traffic white, white aluminium and black colour.

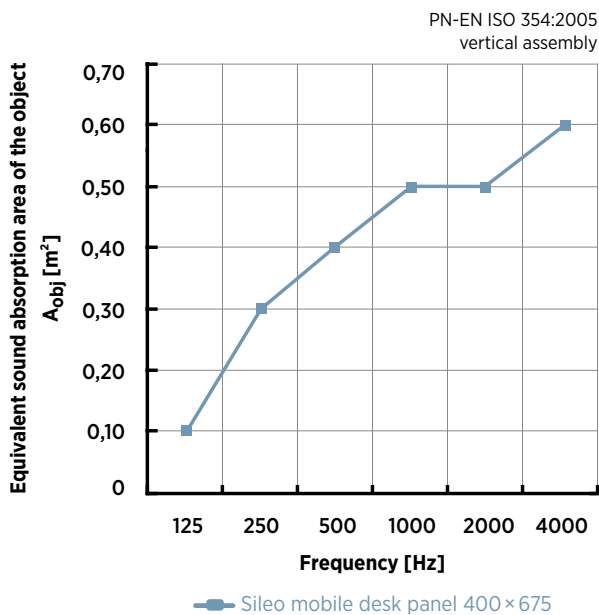
A set consists of: a panel, brackets and a manual.

Assembly: tool-free, pulled over table top edge, top thickness 25 mm.

Construction: Panel base is made of plywood with a metal weight inside, cut foam ensuring panel stability, with fabric cover.



Acoustic properties



Panel with sound-absorbing properties reduces reverb in an office space. It also helps to isolate and separate workstations. Product is the most effective in the range of medium and high frequencies, so it will mostly affect human speech, clicking, tapping, phone ringtones etc.

	Equivalent sound absorption area of the object A_{obj} [m ²]					
f[Hz]	125	250	500	1000	2000	4000
A_{obj} [m ²]	0,1	0,3	0,4	0,5	0,5	0,6

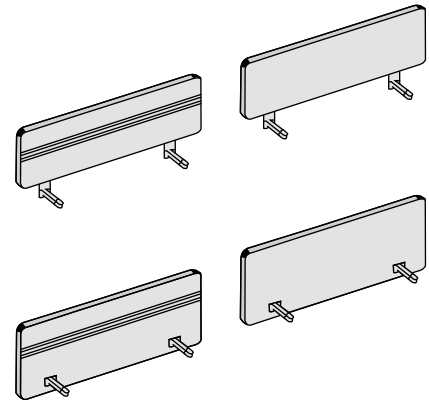
Sileo desk or workbench panel I+

(Isolation+)

Acoustic product specification

Details:

desk panel		workbench panel	
dimensions [mm]	weight [kg/piece]	dimensions [mm]	weight [kg/piece]
1200 × 660 × 58	11,0	1200 × 520 × 58	12,0
1400 × 660 × 58	12,6	1400 × 520 × 58	14,0
1600 × 660 × 58	14,7	1600 × 520 × 58	15,2
1800 × 660 × 58	16,3	1800 × 520 × 58	16,6



Fabrics: Blazer, Synergy

Bracket finish option: traffic white, white aluminium and black colour.

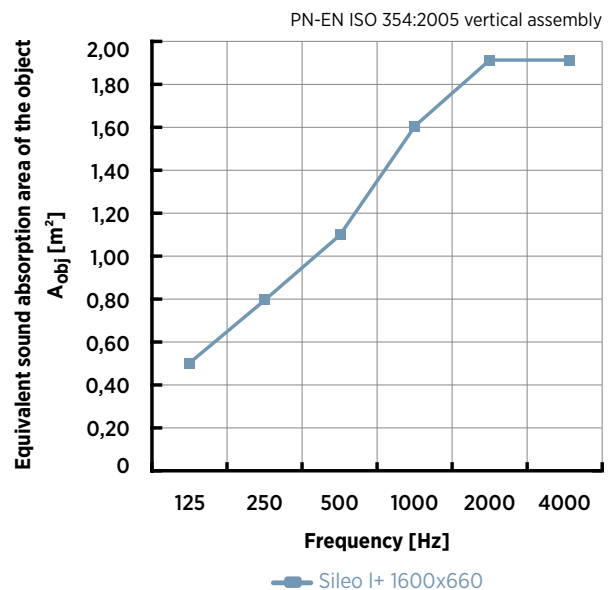
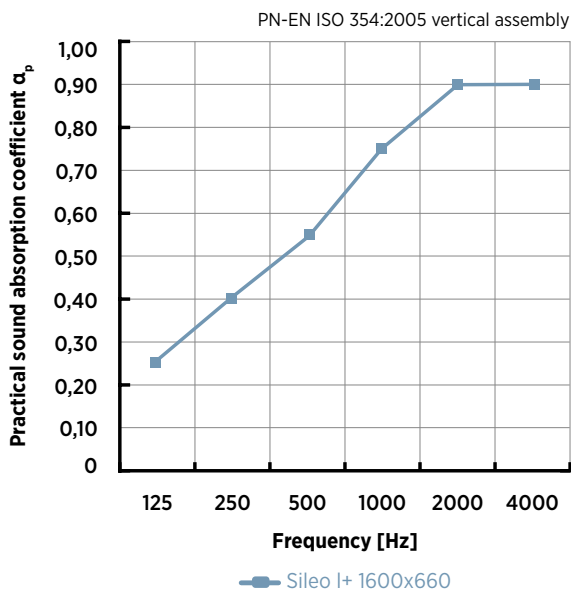
A set consists of: a panel, brackets and a manual.

Assembly: to desk or workbench frame with dedicated metal brackets.

Integration: SQuart desks and workbenches, Play&Work desks and workbenches with U-shape base.

Construction: frame is made of plywood and solid wood. Solid board inside, increasing sound-isolating properties, covered with polyester non-woven fabric-light, hardly flammable, anti-allergic and eco-friendly material, made of 85 % recycled fibres. Panel upholstered with fabric cover.

Acoustic properties



Acoustic panel with increased sound-isolating properties.

Acoustic panels create a barrier separating from the sound source and their sound-absorbing properties also reduce the reverberation time. Product is the most effective in the range of medium and high frequencies, so it will mostly affect human speech, clicking, tapping, phone ringtones etc.

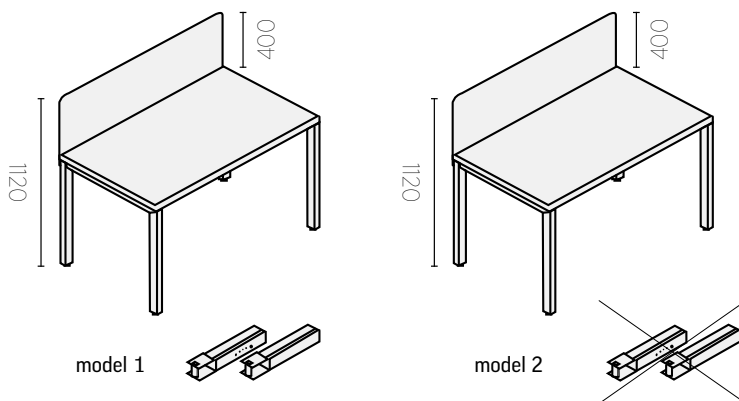
f[Hz]	Sound absorption coefficient α						Sound absorption class
	125	250	500	1000	2000	4000	
α_p	0,25	0,40	0,55	0,75	0,90	0,90	C
α_w	0,60 (MH)						
Equivalent sound absorption area of the object A_{obj} [m ²]							
f[Hz]	125	250	500	1000	2000	4000	
A_{obj} [m ²]	0,5	0,8	1,1	1,6	1,9	1,9	

CS5040 desk upper panel, felt

Acoustic product specification

Details:

dimensions [mm]	weight [kg/piece]	
	model 1	model 2
1200 × 480 × 24	3,8	4,8
1400 × 480 × 24	4,3	5,2
1600 × 480 × 24	4,7	5,6
1800 × 480 × 24	5,1	6,0



Fabrics: Thermoformed felt in light or dark grey colour.

Model: 1 - panel is fixed to desk frame by using basic brackets. The same set of brackets allows for assembly of three various products.
2 - panel is fixed to desk frame without using basic brackets. This panel is already equipped with dedicated brackets.
It is not possible to assemble upper panel, modesty panel and horizontal wire trunking at the same time.

A set consists of: a panel, brackets and a manual.

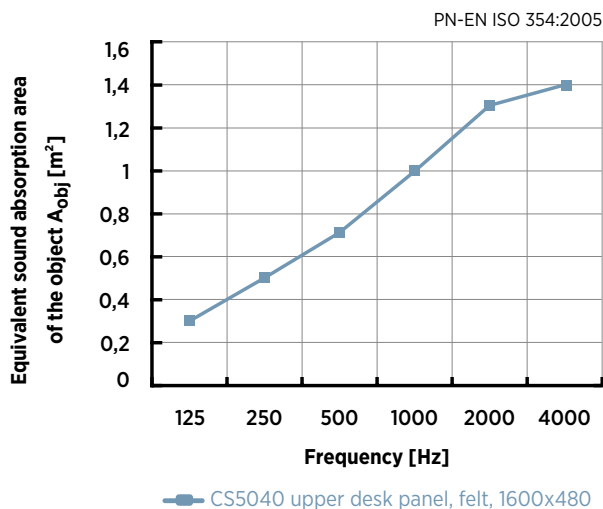
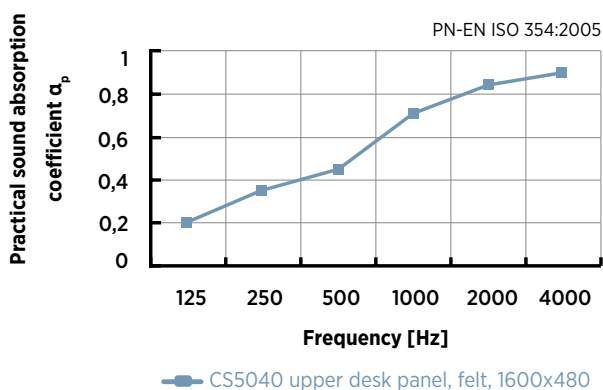
Assembly: to desk or workbench frame with dedicated metal brackets.

Bracket finish option: powder-coated in Traffic white, Jet black, White aluminium, Slate grey or Fashion collection colour.

Integration: CS5040 desks (model 1, with brackets);
CS5040 desk with fixed table top,
Play&Work desk with U-shape base (model 2, without brackets).

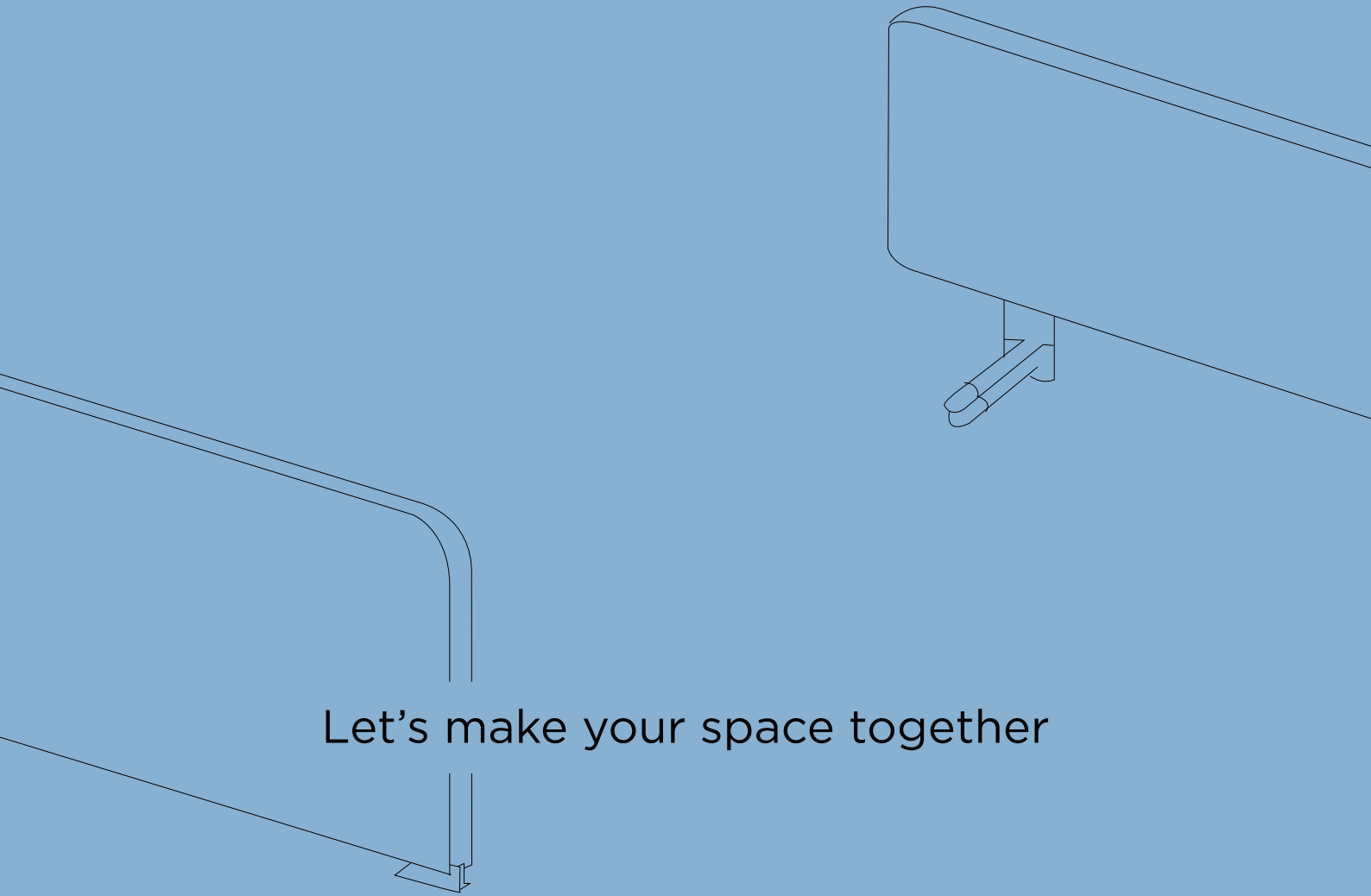
Construction: made of thermoformed felt in light or dark grey colour. Panel thickness 24 mm, upper edges rounded at 40 mm radius. Equipped with dedicated brackets for fixing with basic brackets.

Acoustic properties

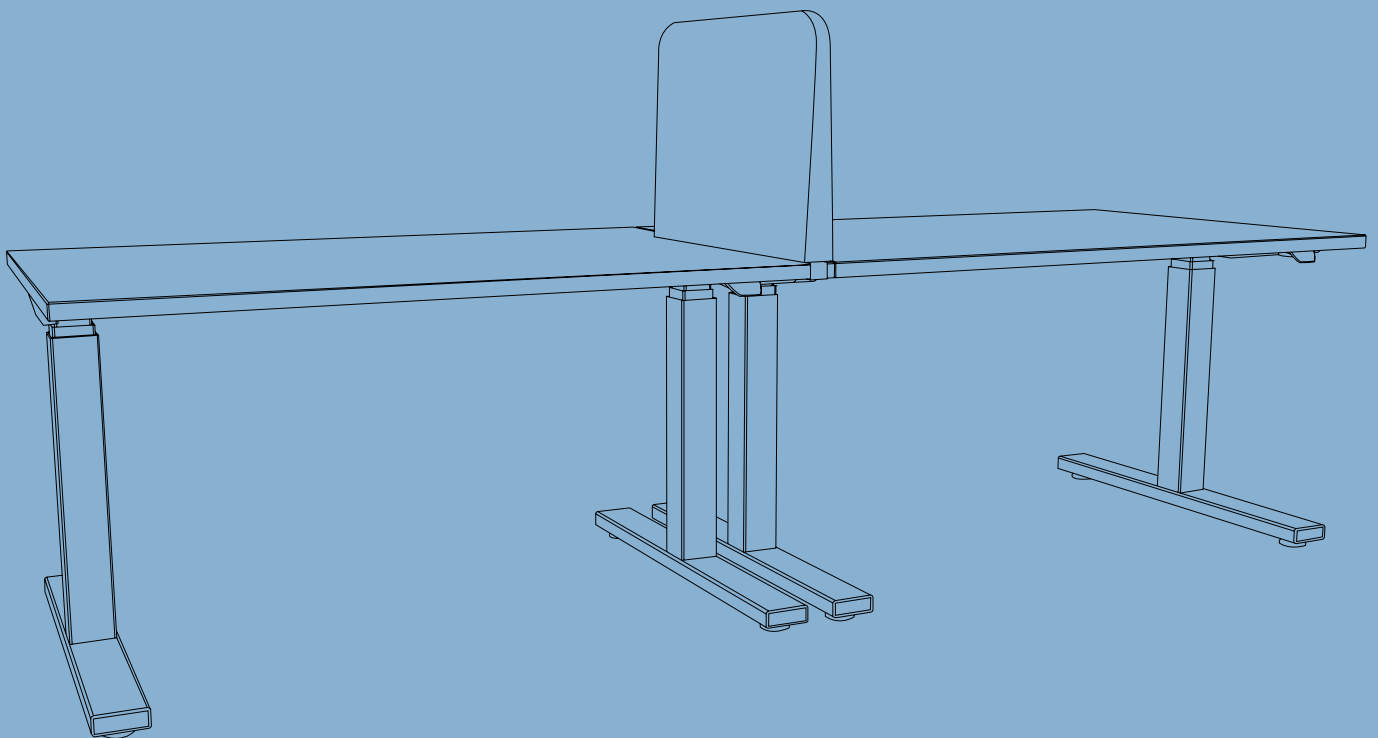


Functional and durable acoustic panel made of thermoformed felt with high absorptive properties. Acoustic panels create a barrier separating from the sound source and their sound-absorbing properties also reduce the reverberation time. Product has good absorption in full frequency range and it is the most effective in the range of medium and high frequencies, so it will mostly affect human speech, clicking, tapping, phone ringtones etc.

f[Hz]	Sound absorption coefficient α						Sound absorption class
	125	250	500	1000	2000	4000	
α_p	0,20	0,35	0,45	0,70	0,85	0,90	D
α_w	0,60 (MH)						
Equivalent sound absorption area of the object A_{obj} [m ²]							
f[Hz]	125	250	500	1000	2000	4000	
A_{obj} [m ²]	0,3	0,5	0,7	1,0	1,3	1,4	



Let's make your space together



Let's make your space together